

# Z-8550B

# Z-8560B

---

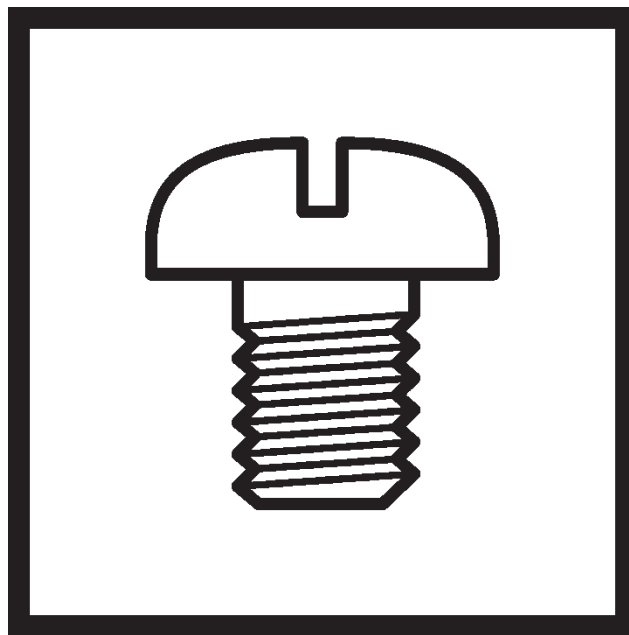
直接驱动式电脑之字缝缝纫机

直接驱动式电脑自动切线之字缝缝纫机

ELECTRONIC DIRECT DRIVE ZIGZAG LOCK STITCHER

ELECTRONIC DIRECT DRIVE ZIGZAG LOCK STITCHER

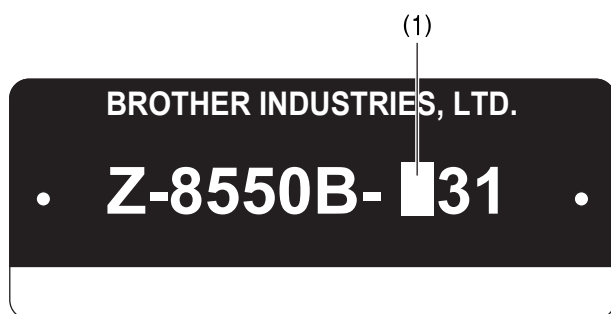
WITH THREAD TRIMMER



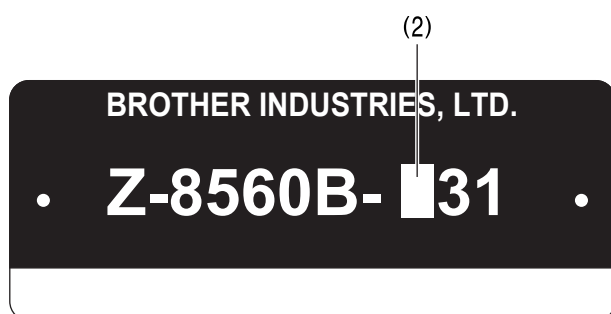
---

**brother**

## 型号牌的读解法



- (1) — 0: 标准  
— A: 标准 + 电磁反转 · 缝纫密针装置

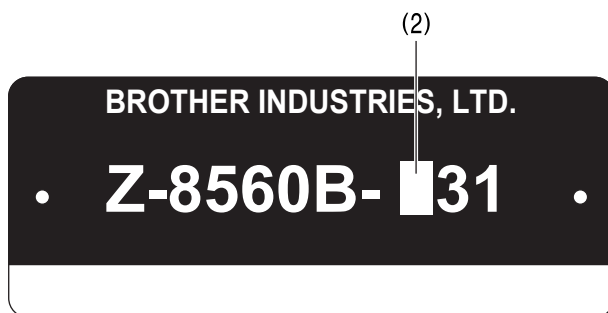


- (2) — 4: 切线装置 + 面线放出装置 + 电磁反转 · 缝纫密针装置 + 扫线装置 (用于日本以外)

## Description of model plate



- (1) — 0: Standard  
— A: Standard + Back tack / Condence device



- (2) — 4: Thread trimmer + Upper thread feeding device + Back tack / Condence device + Thread wiper  
(except for Japan)

# 零件手册的使用说明

1. 本手册是根据截止至2018年11月的资料为基准而编制的。
2. 零部件设计若有变动，恕不另行通知。
3. 以组件为单位供应的零部件是用虚线框出。
4. 零件图册中数字(REF.NO)右上角带有“+”号的零件属多规格零件，详细请见零件清单。

## 目 录

A. 机体部分 .....	1
B. 针杆和挑线杆装置 .....	3
C. 之字缝装置 .....	7
D. 压脚装置 .....	9
E. 送料装置 .....	11
F. 膝控提升装置 .....	17
G. 倒缝装置 .....	19
H. 旋梭装置 .....	21
J. 供油润滑装置 .....	23
K. 穿线装置 .....	27
L. 绕线装置 .....	29
M1. 切线装置 .....	31
M2. 切线装置 .....	33
N. 松线装置 .....	35
P. 扫线装置 .....	37
Q1. 控制箱 .....	39
Q2. 控制箱 .....	41
R. 倒缝开关装置 .....	43
S. 电气部品 .....	45
T. 操作盘 .....	47
U. 马达装置 .....	49
Z. 附件 .....	51
Ga1. 工模具一览表 .....	53
Ga2. 工模具一览表 .....	54
Ga3. 工模具一览表 .....	55
Wa1. 警告标签 .....	56
Wa2. 警告标签 .....	57
索引 .....	58

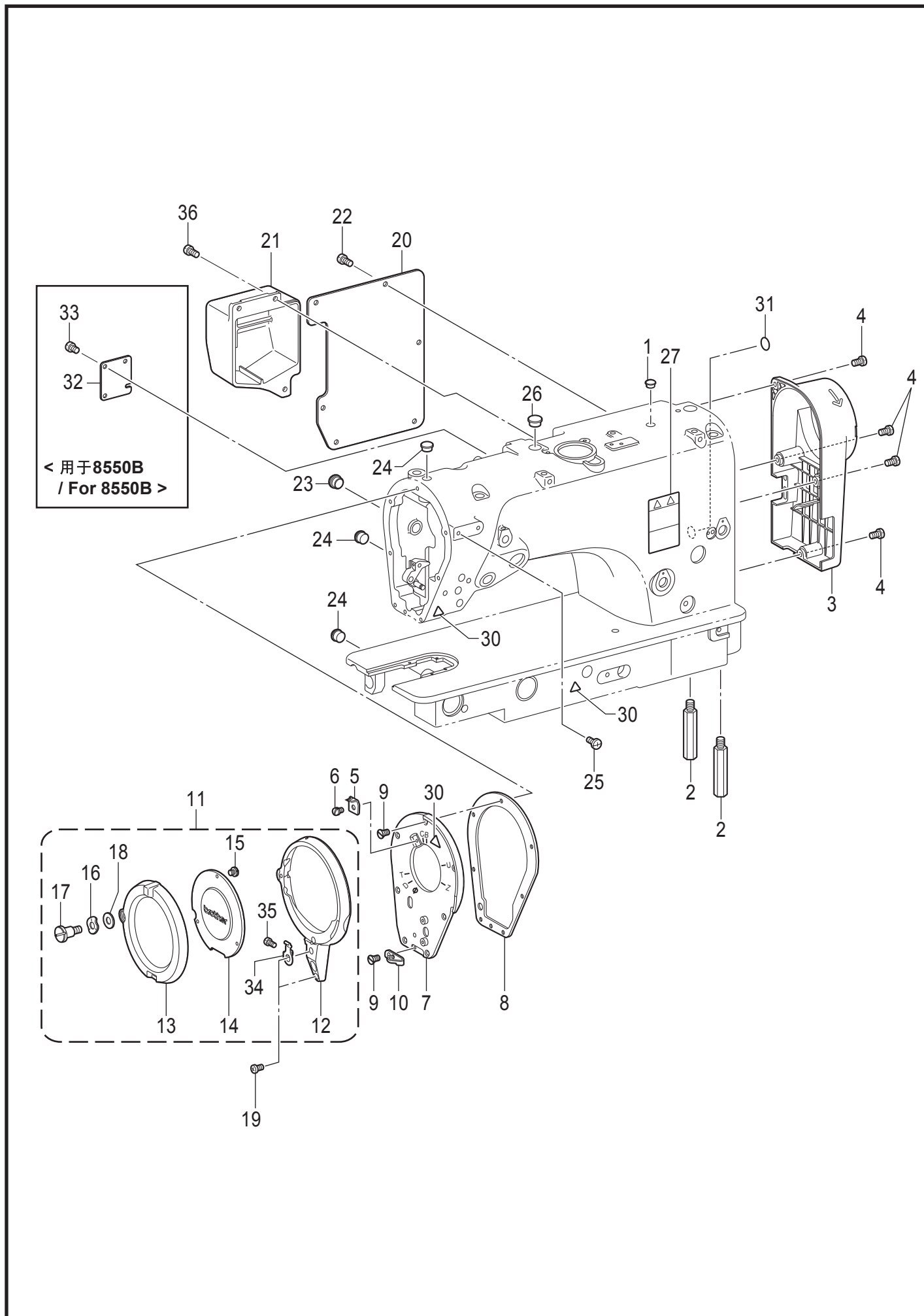
# Notes for using this parts book

1. This book was prepared based on information available in November 2018.
2. Parts are subject to changes in design without prior notice.
3. Parts supplied as complete assemblies are circled by a dotted line.
4. The part which has the symbol "+" on its number (REF.NO) in the figure differs depending on the specification. For details, refer to the parts list.

## CONTENTS

A. Machine body .....	1
B. Needle bar and thread take-up mechanism .....	3
C. Zigzag mechanism .....	7
D. Presser foot mechanism .....	9
E. Feed mechanism .....	11
F. Knee lifter mechanism .....	17
G. Quick reverse mechanism .....	19
H. Rotary hook mechanism .....	21
J. Lubrication .....	23
K. Threading mechanism .....	27
L. Bobbin winder mechanism .....	29
M1. Thread trimmer mechanism .....	31
M2. Thread trimmer mechanism .....	33
N. Tension release mechanism .....	35
P. Thread wiper mechanism .....	37
Q1. Control box .....	39
Q2. Control box .....	41
R. Quick reverse switch mechanism .....	43
S. Power supply equipment .....	45
T. Operation panel .....	47
U. Motor mechanism .....	49
Z. Accessories .....	51
Ga1. Gauge parts list .....	53
Ga2. Gauge parts list .....	54
Ga3. Gauge parts list .....	55
Wa1. Warning labels .....	56
Wa2. Warning labels .....	57
Index .....	58

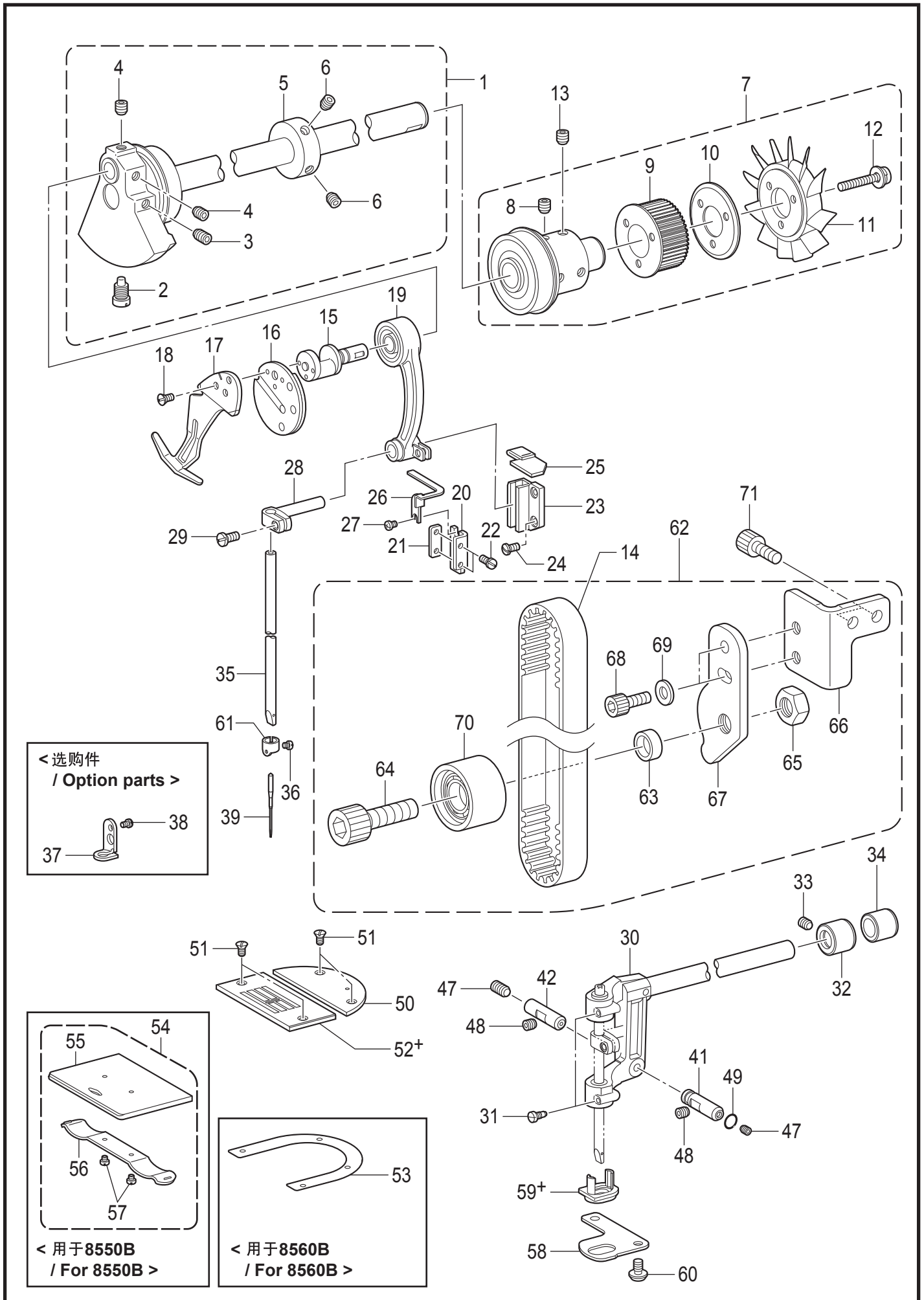
A. 机体部分 / Machine body



A. 机体部分 / Machine body

参照号	零部件序号	数量	零部件名称	NAME OF PARTS	RM
1	117936001	1	橡皮塞 9.4	RUBBER CAP, 9.4	
2	SA4897001	2	脚柱	STUD	
3	SB8939001	1	马达罩盖	MOTOR COVER	
4	0A4501606	4	螺钉(带垫圈) M5X16DA	SCREW PAN (S/P WASHER) M5X16	
5	S48006001	1	面板切刀	FACE PLATE KNIFE	
6	100257010	1	螺钉 SM3.57X6	SCREW, SM3.57X6	
7	SA4899101	1	主面板	FACE PLATE	
8	SB8946001	1	面板垫片	FACE PLATE PACKING	
9	SA5124001	8	螺钉 M4	SCREW, FLAT M4	
10	SA4900001	1	线导向	THREAD GUIDE	
11	SB9368201	1	挑线杆保护器组件	THREAD TAKE-UP GUARD ASSY	
12	SB8943101	1	挑线杆保护圈	THREAD TAKE-UP GUARD	
13	SB8944101	1	挑线导向盖板	THREAD TAKE-UP GUARD COVER	
14	SB9376001	1	面板视窗	COVER WINDOW	
15	085310516	3	螺钉 B M3X5	TAPTITE BIND B M3X5	
16	S52015201	1	弹簧垫圈	WASHER WAVE SPRING	
17	S48012201	1	轴位螺钉M4.76	SHOULDER SCREW SM4.76	
18	SB8945001	1	平垫圈 M6.35	WASHER PLAIN M SM6.35	
19	062401016	2	螺钉 M4X10	SCREW PAN M4X10	
20	SB8942001	1	侧板	REAR COVER	
21	SB8941101	1	脉冲马达盖	PULSE MOTOR COVER	
22	062501216	6	螺钉 M5X12	SCREW PAN M5X12	
23	104449001	1	橡皮塞 15.5	RUBBER CAP, 15.5	
24	104821001	3	橡皮塞 10.5	RUBBER CAP, 10.5	
25	060400816	2	螺钉 M4X8	SCREW BIND M4X8	
26	150592001	1	橡皮塞 16	RUBBER CAP, 16	
27	SA9826001	1	操作注意标签	LABEL CAUTION	
30	SA9957001	3	警告标记	INJURY MARK	
31	S37060001	1	接地标记	LABEL GROUNDING	
			<用于8550B>	<For 8550B>	
32	SA4903101	1	窗板	WINDOW PLATE	
33	062500816	3	螺钉 M5X8	SCREW PAN M5X8	
34	SB9372001	1	板弹簧	SPRING PLATE	
35	062400416	1	螺钉 M4X4	SCREW, PAN M4X4	
36	0A4501206	3	螺钉(带垫圈) M5X12DA	SCREW PAN (S/P WASHER) M5X12	

B. 针杆和挑线杆装置 / Needle bar and thread take-up mechanism

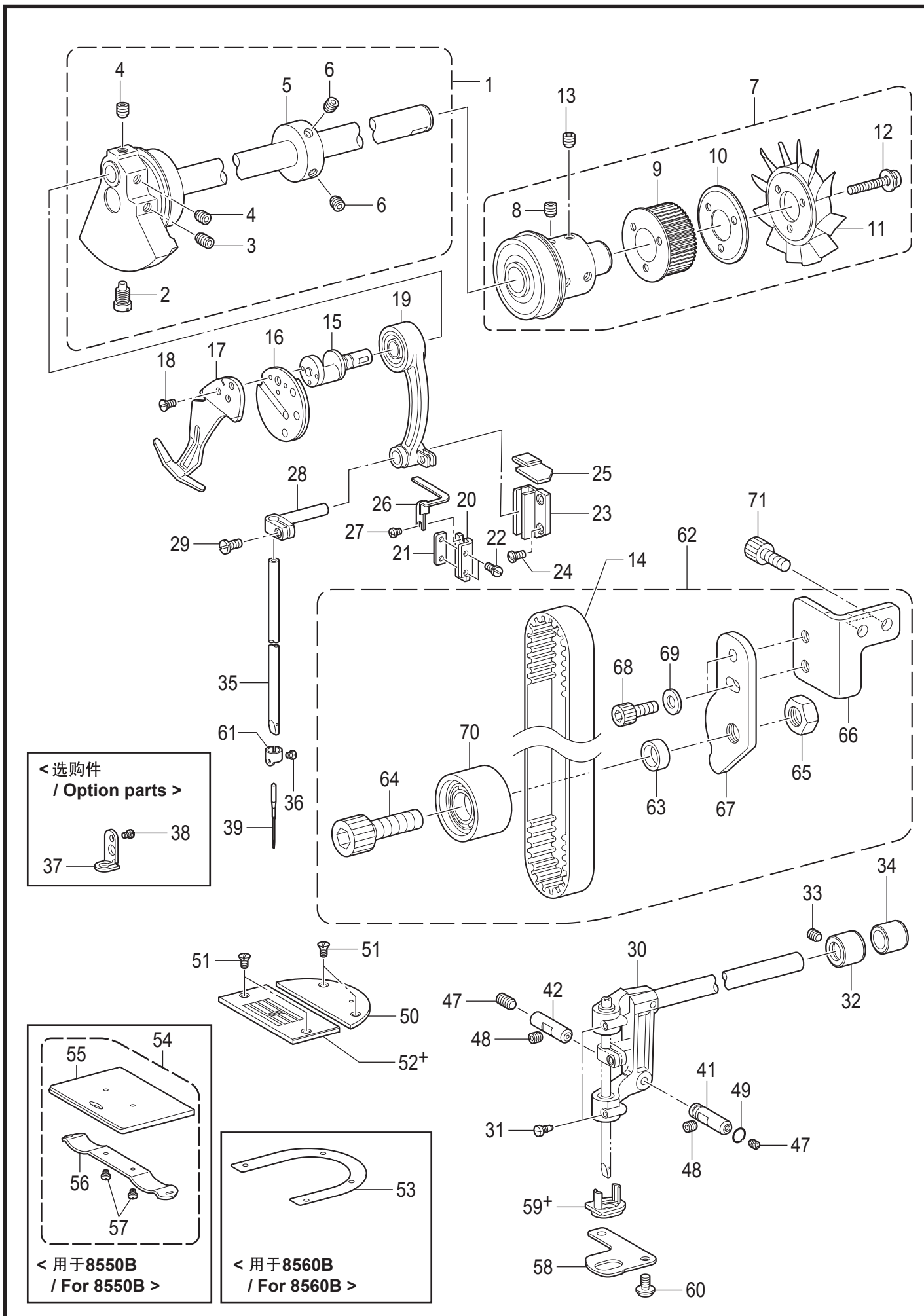




B. 针杆和挑线杆装置 / Needle bar and thread take-up mechanism

参照号	零部件序号	数量	零部件名称	NAME OF PARTS	RM
1	SA4904001	1	上轴组件	UPPER SHAFT ASSY	
2	S25235001	1	螺钉 M8	SCREW M8	
3	S25236001	1	螺钉 M6X10	SET SCREW SOCKET (FT) M6X10	
4	S23651001	2	固定螺钉 M6X6	SET SCREW SOCKET (FT) M6X6	
5	SA1120001	1	绕线驱动轮	BOBBIN WINDER DRIVING WHEEL	
6	S23651001	2	固定螺钉 M6X6	SET SCREW SOCKET (FT) M6X6	
7	SB1537001	1	接头组件	JOINT UNIT	
8	S23651001	2	固定螺钉 M6X6	SET SCREW SOCKET (FT) M6X6	
9	SA2250101	1	同步轮U	TIMING PULLEY U	
10	S38712001	1	法兰	FLANGE	
11	S38713100	1	叶轮	FAN	
12	SA2404001	3	螺钉组件 M4X35DB	SCREW, PAN (S WASHER) M4X35	
13	S23651001	2	固定螺钉 M6X6	SET SCREW SOCKET (FT) M6X6	
14	SA4908101	1	同步皮带	TIMING BELT	
15	S48036101	1	挑线连杆轴	N-BAR CONNECTING ROD SHAFT	
16	S48037001	1	旋式挑线杆安装板	ROTARY TAKE-UP MOUNTING PLATE	
17	SA4909101	1	挑线杆	ROTARY THREAD TAKE-UP LEVER	
18	S48041001	3	平头螺钉 SM3.57	SCREW, FLAT SM3.57	
19	SA4910001	1	针杆连杆组件	NEEDLE BAR CONNECTING ROD ASSY	
20	SA4912001	1	针杆连杆导向	N-BAR CONNECTING ROD GUIDE	
21	SA5125001	1	压板	PRESSER PLATE	
22	018401036	2	螺栓 M4X10	BOLT SOCKET M4X10	
23	SA4913001	1	针杆抱箍导向	NEEDLE BAR CLAMP GUIDE	
24	018401036	2	螺栓 M4X10	BOLT SOCKET M4X10	
25	SA6093001	1	油毡	FELT	
26	SA6092001	1	油毡压板	PRESSER PLATE	
27	062300416	1	螺钉 M3X4	SCREW PAN M3X4	
28	SA4915001	1	针杆抱箍	NEEDLE BAR CLAMP	
29	145318001	1	螺钉 SM4.37	SCREW, SM4.37	
30	SB9369001	1	针杆架组件	NEEDLE BAR BASE ASSY	
31	SA9061001	2	螺钉 M3	SCREW M3	
32	SA6219001	1	轴套 F	BUSH F	
33	012500536	1	螺钉 M5X5	SET SCREW SOCKET (FT) M5X5	
34	SA4922001	1	轴套 R	BUSH,R	
35	SA4923001	1	针杆	NEEDLE BAR	
36	140553102	1	固定螺钉 SM3.18	SET SCREW, SM3.18	
39	S48371070	1	机针134SUK	NEEDLE, 134SUK	
41	SB9370101	1	销 F	PIN F	
42	SB9371001	1	销 R	PIN R	
47	014300432	2	螺钉 M3X4	SET SCREW SOCKET (CP) M3X4	
48	012500536	2	螺钉 M5X5	SET SCREW SOCKET (FT) M5X5	
49	081005070	1	O形圈 P5	O RING P5	
50	S48063001	1	辅助针板	AUXILIARY NEEDLE PLATE	
51	S48041001	4	平头螺钉 SM3.57	SCREW, FLAT SM3.57	
58	SA4928001	1	定位板	STOPPER PLATE	
60	S18291001	2	螺钉 M5X8	SCREW, BUTTON HEAD M5X8	
61	SA8112001	1	针杆线导向	NEEDLE BAR THREAD GUIDE	
52+	S48065001	1	<用于振幅8mm> 针板 B	<For zigzag width of 8 mm> NEEDLE PLATE, B	
59+	SA9064001	1	定位器 8 <用于振幅10mm>	STOPPER 8 <For zigzag width of 10 mm>	
52+	S50684001	1	针板 10A	NEEDLE PLATE, 10A	
59+	S52046000	1	定位器	STOPPER, 10	

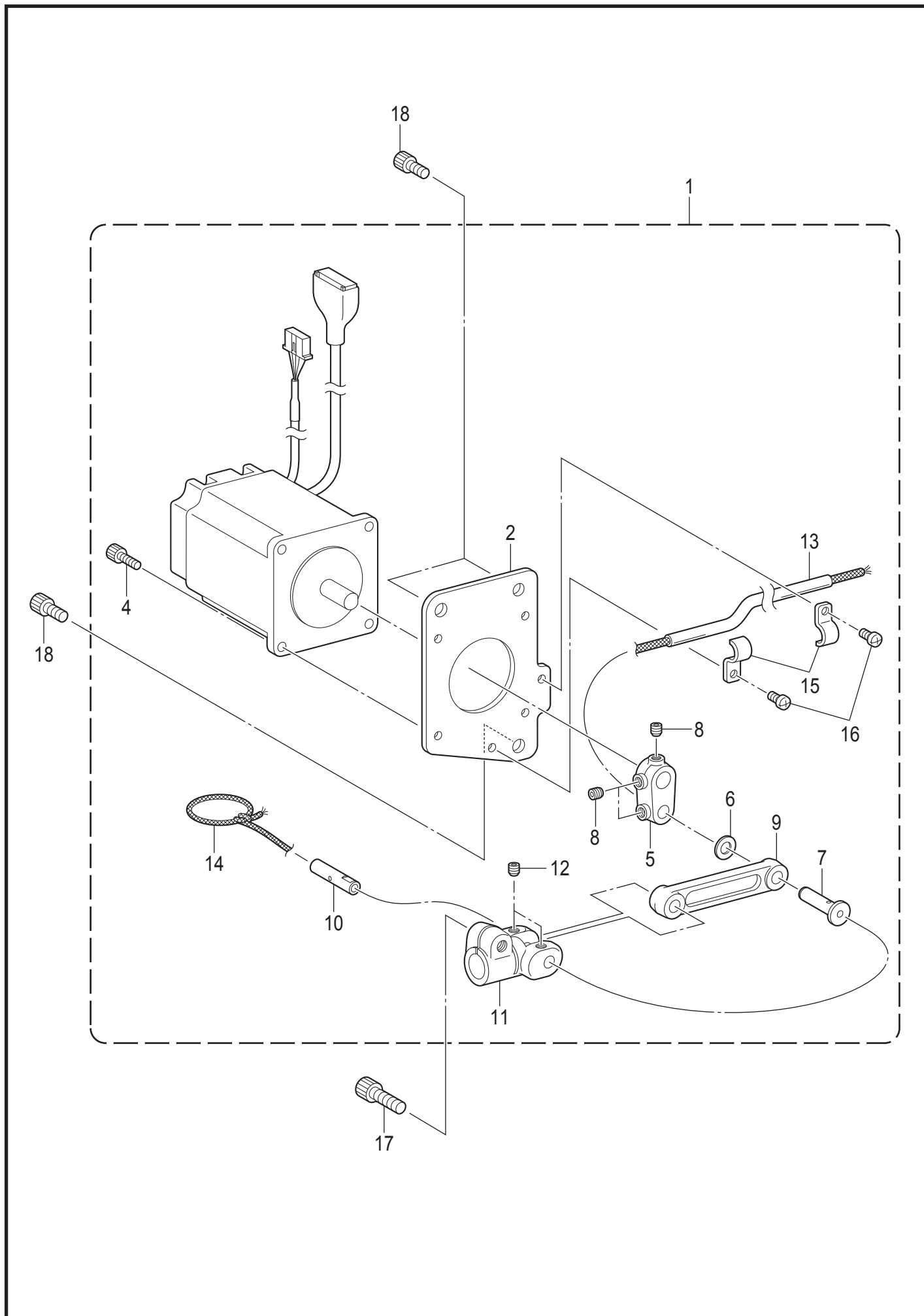
B. 针杆和挑线杆装置 / Needle bar and thread take-up mechanism



B. 针杆和挑线杆装置 / Needle bar and thread take-up mechanism

参照号	零部件序号	数量	零部件名称	NAME OF PARTS	RM
53	S06165001	1	<用于8560B> 针板垫圈	<For 8560B> SPACER, NEEDLE PLATE	
54	S48068001	1	<用于8550B> 推板组件	<For 8550B> SLIDE PLATE ASSY	
55	S48069001	1	推板	SLIDE PLATE	
56	114561001	1	推板簧	SPRING, PLATE	
57	SA9523001	2	螺钉 SM2.38	SCREW SM2.38	
62	SB9374001	1	张力皮带轮总组件	TENSION PULLEY UNIT	
63	S50165001	1	张力轮管套	COLLAR	
64	018102536	1	螺栓 M10X25	BOLT SOCKET M10X25	
65	021100302	1	螺母 M10	NUT 3 M10	
66	SB9375001	1	皮带轮基座	PULLEY BASE	
67	SA8060201	1	张力轮靠板	TENSION PULLEY PLATE	
68	018061036	2	螺栓 M6X10	BOLT SOCKET M6X10	
69	025060136	2	平垫圈 S6	WASHER PLAIN S 6	
70	SA9763101	1	张力皮带轮组件	TENSION PULLEY ASSY	
71	018061032	2	螺栓 M6X10	BOLT SOCKET M6X10	
37	SA4924001	1	<选购件> 过线钩	<Option parts> THREAD GUIDE	
38	100105005	1	螺钉 SM2.38X2.4	SCREW, SM2.38X2.4	

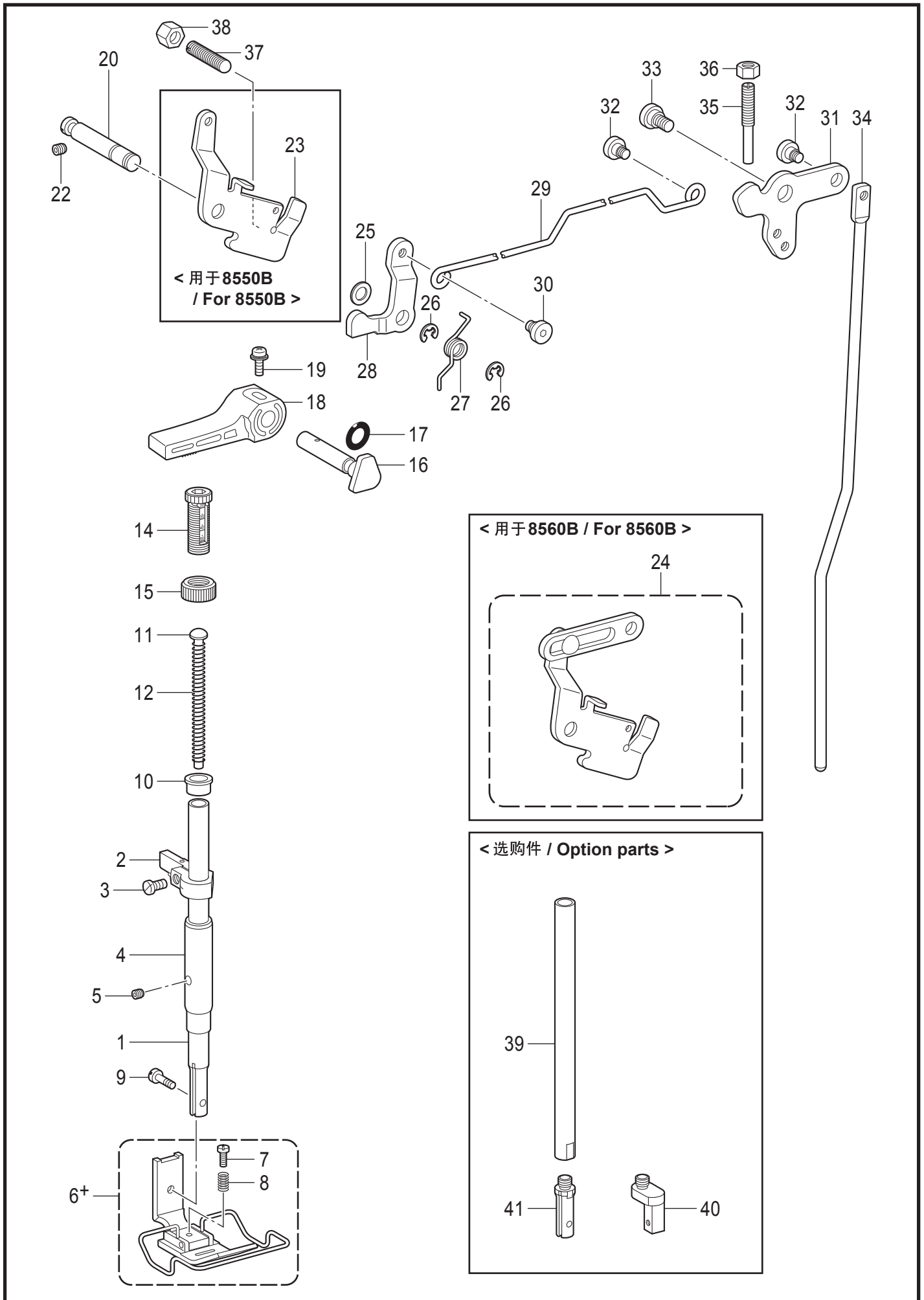
C. 之字縫裝置 / Zigzag mechanism



C. 之字缝装置 / Zigzag mechanism

参照号	零部件序号	数量	零部件名称	NAME OF PARTS	RM
1	SB9377001	1	针摆马达组件	ZIGZAG MOTOR ASSY	
2	SB9378001	1	马达安装板	MOTOR SETTING BRACKET	
4	018401036	4	螺栓 M4X10	BOLT SOCKET M4X10	
5	SA4931001	1	马达杠杆	MOTOR LEVER	
6	SA4932001	1	垫圈	WASHER	
7	SA4933001	1	马达杠杆轴	MOTOR LEVER SHAFT	
8	012500536	3	螺钉 M5X5	SET SCREW SOCKET (FT) M5X5	
9	SA4934001	1	针摆连杆	ZIGZAG CONNECTING ROD	
10	SA4935101	1	针摆连杆轴	ZIGZAG CONNECTING ROD SHAFT	
11	SA4936001	1	针摆接头	ZIGZAG JOINT	
12	012500536	2	螺钉 M5X5	SET SCREW SOCKET (FT) M5X5	
13	SA4937101	1	油管	OIL TUBE	
14	SA4938001	1	油线 4X4	WICK, 4X4	
15	140647101	2	电线固定夹	CORD HOLDER	
16	062400616	2	螺钉 M4X6	SCREW PAN M4X6	
17	018062032	1	螺栓 M6X20	BOLT SOCKET M6X20	
18	018061032	3	螺栓 M6X10	BOLT SOCKET M6X10	

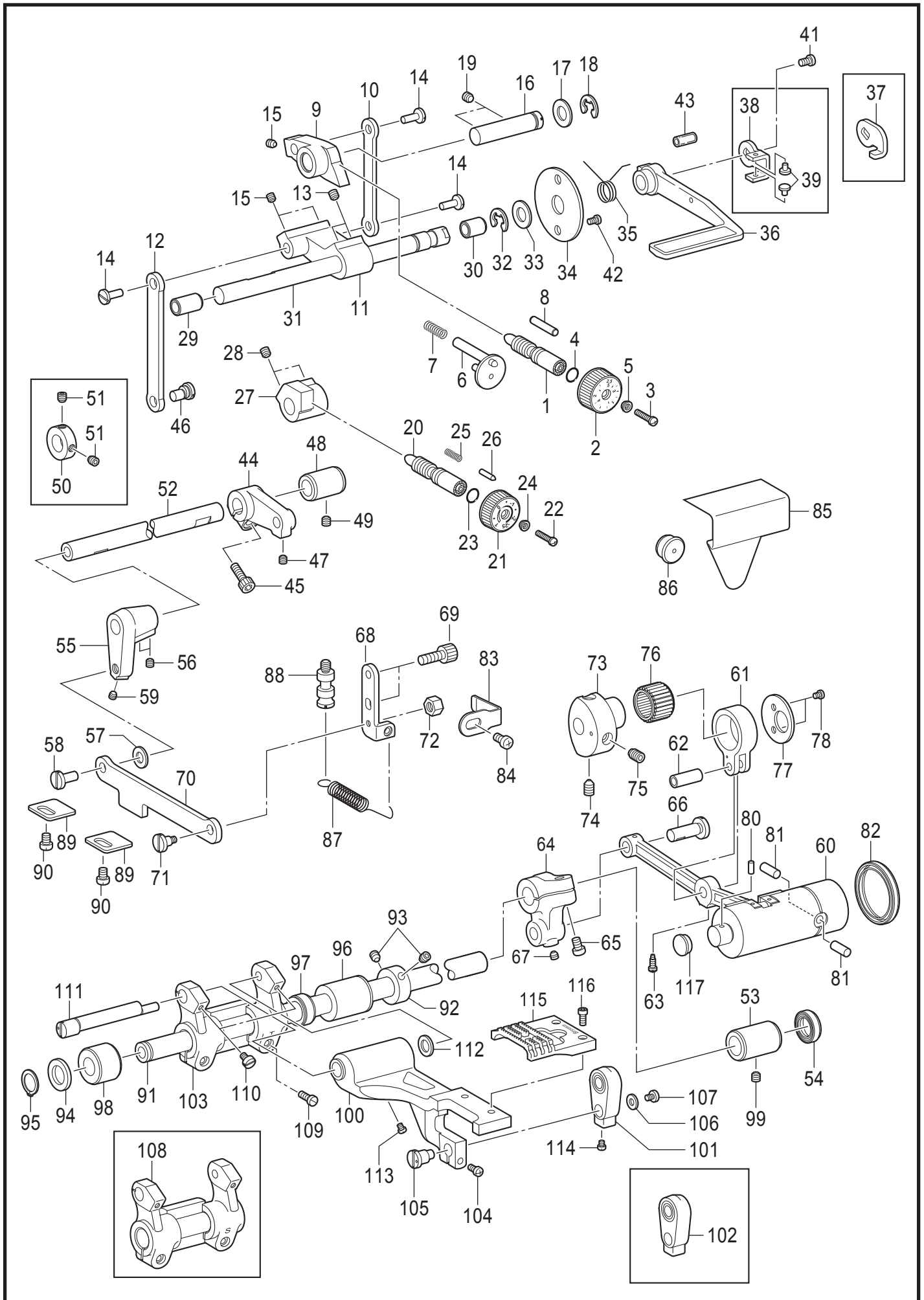
D. 压脚装置 / Presser foot mechanism



D. 压脚装置 / Presser foot mechanism

参照号	零部件序号	数量	零部件名称	NAME OF PARTS	RM
1	S48281001	1	压紧杆	PRESSER BAR	
2	SA4939201	1	压紧杆抱箍组件	PRESSER BAR BRACKET ASSY	
3	S23616101	1	螺钉M4X10	SCREW, M4X10	
4	SA4941201	1	压紧杆轴套	PRESSER BAR BUSH	
5	012400432	1	螺钉 M4X4	SET SCREW SOCKET (FT) M4X4	
6+	S48293201	1	<用于振幅8mm> 压脚组件	<For zigzag width of 8 mm> PRESSER FOOT ASSY W/F-G	
6+	S51227201	1	<用于振幅10mm> 压脚组件10	<For zigzag width of 10 mm> PRESSER FOOT ASSY 10	
7	S48297001	1	螺钉SM3.18	SCREW, SM3.18	
8	S48298001	1	压脚弹簧	COMPRESSION SPRING	
9	113050001	1	螺钉 SM3.57	SCREW, SM3.57	
10	SA7147001	1	压紧弹簧导柱圈	SPRING GUIDE COLLAR	
11	S24740001	1	压紧弹簧导柱	SPRING GUIDE	
12	S48285001	1	压紧弹簧	PRESSER BAR SPRING	
14	SA1174002	1	调节螺拴 M14	PRESSER ADJUSTING SCREW M14	
15	SA1175002	1	调节螺母 M14	ADJUST SCREW NUT	
16	S31952001	1	压紧杆扳手曲柄	PRESSER BAR LIFTER CRANK	
17	081004070	1	O形圈 P4	O RING P4	
18	S31006002	1	抬压脚扳手	LIFTING LEVER	
19	S39051001	1	螺钉(带垫圈)M3.5X12	SCREW, PAN (S/P W) M3.5X12	
20	SA1181101	1	抬压连杆轴	PRESSER BAR LIFTER LEVER SHAFT	
22	012500536	1	螺钉 M5X5	SET SCREW SOCKET (FT) M5X5	
23	SA4944101	1	<用于8550B> 松线板	<For 8550B> TENSION RELEASE PLATE	
24	SA4943101	1	<用于8560B> 松线连杆组件	<For 8560B> TENSION RELEASE CON. ROD ASSY	
25	S07350001	1	垫圈	WASHER PLAIN	
26	048050342	2	挡圈 E5	RETAINING RING E5	
27	SA7839101	1	弹簧	SPRING	
28	SA1177001	1	抬压连杆	PRESSER BAR LIFTER LEVER	
29	SA4947001	1	膝控连杆	KNEE LIFTER CONNECTING ROD	
30	SA1179001	1	轴位螺钉 M5	SHOULDER SCREW M5	
31	SA3980101	1	膝控杠杆	KNEE LIFTER LEVER	
32	SA1179001	2	轴位螺钉 M5	SHOULDER SCREW M5	
33	SA2165001	1	轴位螺钉 M6	SHOULDER SCREW, M6	
34	SB9379001	1	膝控杆	KNEE LIFTER BAR	
35	SA5416001	1	调节螺杆 M6	ADJUSTING SCREW M6	
36	021060306	1	六角螺母 M6	NUT 3 M6	
37	SA4949001	1	螺钉 M6	SCREW, M6	
38	021060306	1	六角螺母 M6	NUT 3 M6	
39	S50114001	1	<选购件> 压紧杆 U	<Option parts> PRESSER BAR, U	
40	S50115001	1	压紧杆下端 A	PRESSER BAR TIP, A	
41	S50116001	1	压紧杆下端 B	PRESSER BAR TIP, B	

E. 送料装置 / Feed mechanism

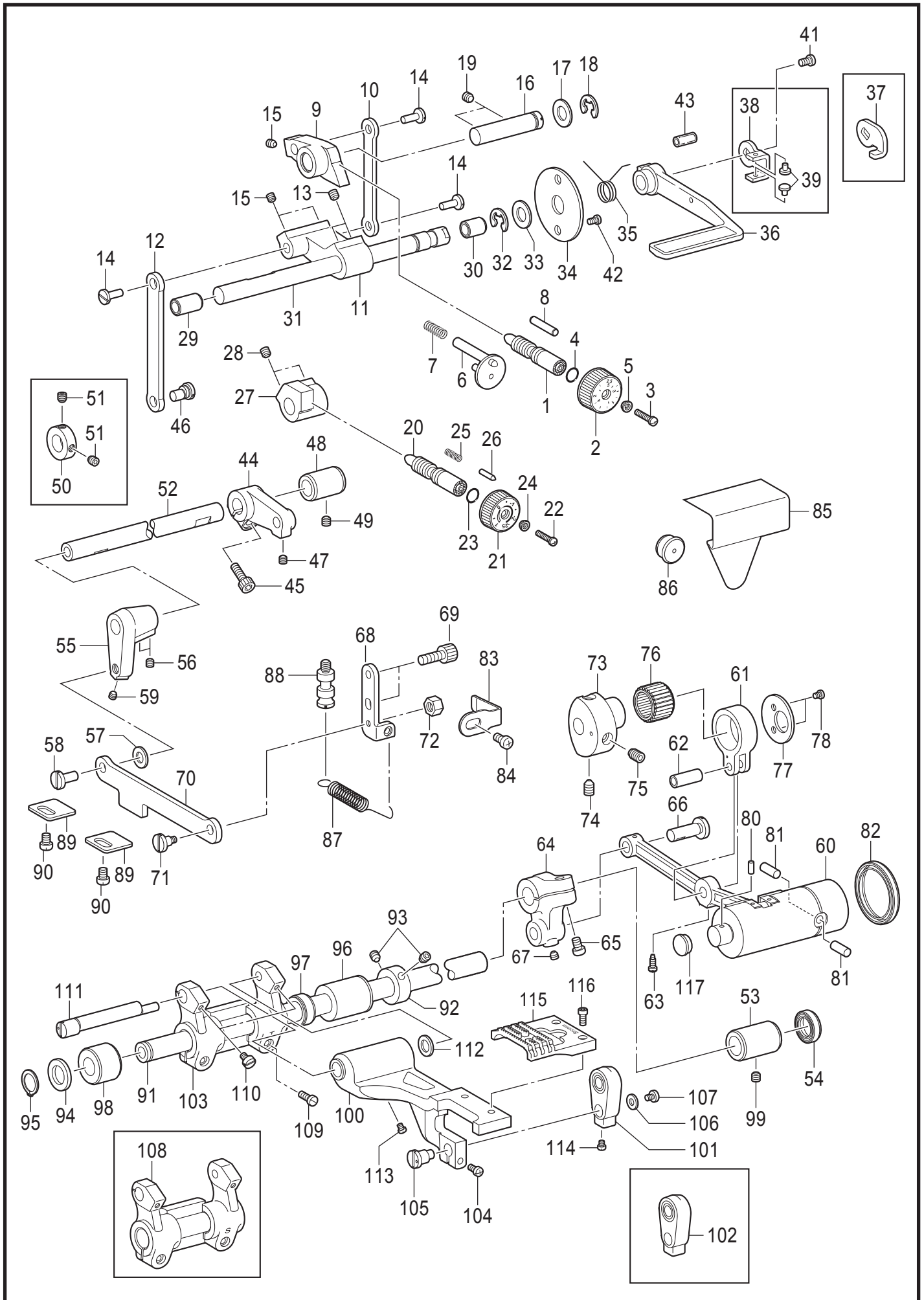




## E. 送料装置 / Feed mechanism

参照号	零部件序号	数量	零部件名称	NAME OF PARTS	RM
1	S47433201	1	针距调节螺杆	FEED REGULATING STUD	
2	SA4951101	1	送布量针距旋钮 5	STITCH LENGTH DIAL 5	
3	S21514201	1	螺钉SM4.76	SCREW SM4.76	
4	108549001	1	O形圈	O RING	
5	142746122	1	针距标盘套	FEED REGULATING SUPPORTER	
6	SA4952001	1	针距旋钮销	STITCH LENGTH DIAL PIN	
7	149622001	1	针杆止动器弹簧	SPRING, N-BAR STOPPER	
8	SA4241001	1	销	ROCK LEVER PIN	
9	SA4954001	1	送布调节器组件	FEED REGULATOR ASSY	
10	SA4957001	1	送布调节连杆 U	CONNECTING ROD, U	
11	SA4958001	1	送布调节杠杆 U	FEED ADJUSTING LEVER, U	
12	SA4959001	1	送布调节连杆 D	CONNECTING ROD, D	
13	S23651001	2	固定螺钉 M6X6	SET SCREW SOCKET (FT) M6X6	
14	151308102	3	连杆轴 12.5	STUD 12.5	
15	012500536	3	螺钉 M5X5	SET SCREW SOCKET (FT) M5X5	
16	SA6227001	1	送布调节器轴	FEED REGULATOR SHAFT	
17	S20356001	1	平垫圈 10	WASHER, PLAIN 10	
18	048080342	1	挡圈 E8	RETAINING RING E8	
19	012060536	2	螺钉 M6X5	SET SCREW, SOCKET (FT) M6X5	
20	S47433201	1	针距调节螺杆	FEED REGULATING STUD	
21	S48113101	1	加固缝标盘旋钮 5	CONDENSE DIAL 5	
22	129458202	1	螺钉 SM4.76	SCREW SM4.76	
23	108549001	1	O形圈	O RING	
24	142746122	1	针距标盘套	FEED REGULATING SUPPORTER	
25	100328001	1	止动销弹簧	NOTCH SPRING	
26	S50098201	1	定位销	POSITIONING PIN	
27	SA4961001	1	加固缝调节器	CONDENSE REGULATOR	
28	S23651001	2	固定螺钉 M6X6	SET SCREW SOCKET (FT) M6X6	
29	142374100	1	轴套 L=20	BUSH DRY :L=20	
30	S25469100	1	轴套 L=12	BUSH DRY :L=12	
31	SA4963001	1	倒缝扳手轴	R-LEVER SHAFT	
32	048080342	1	挡圈 E8	RETAINING RING E8	
33	025100132	1	平垫圈 S10	WASHER PLAIN S 10	
34	SA1207001	1	衬片	SPACER	
35	SA7327001	1	弹簧	SPRING	
36	S07374102	1	倒缝扳手	REVERSE STITCHING LEVER	
37	SA2541001	1	<用于8550B-A31, 8560B> 倒缝扳手板 <用于8550B-031>	<For 8550B-A31 & 8560B> REVERSE STITCHING LEVER PLATE <For 8550B-031>	
38	SA3067001	1	手柄导向	LEVER GUIDE	
39	S48367000	2	导向橡皮	RUBBER	
41	SA6592001	1	螺钉 M5	SCREW M5	
42	062500816	2	螺钉 M5X8	SCREW PAN M5X8	
43	153132000	1	尼龙管 L=13.5	NYLON TUBE L=13.5	
44	SA4966001	1	送布调节杠杆 D	FEED ADJUSTING LEVER, D	
45	018501636	1	螺栓 M5X16	BOLT SOCKET M5X16	
46	151308102	1	连杆轴 12.5	STUD 12.5	
47	012500536	1	螺钉 M5X5	SET SCREW SOCKET (FT) M5X5	
48	SA4967001	1	送布调节轴套	FEED ADJUSTING SHAFT BUSH	
49	012060536	1	螺钉 M6X5	SET SCREW, SOCKET (FT) M6X5	
50	SA4968101	1	<用于8550B-031> 紧圈	<For 8550B-031> SET SCREW COLLAR	
51	S23651001	2	固定螺钉 M6X6	SET SCREW SOCKET (FT) M6X6	
52	SA4969001	1	送布调节轴	FEED ADJUSTING SHAFT	
53	SA4970001	1	轴套 R	BUSH, R	
54	SA4971001	1	油封	OIL SEAL	
55	SA4972001	1	送布切换杠杆	FEED CONNECTING LEVER	

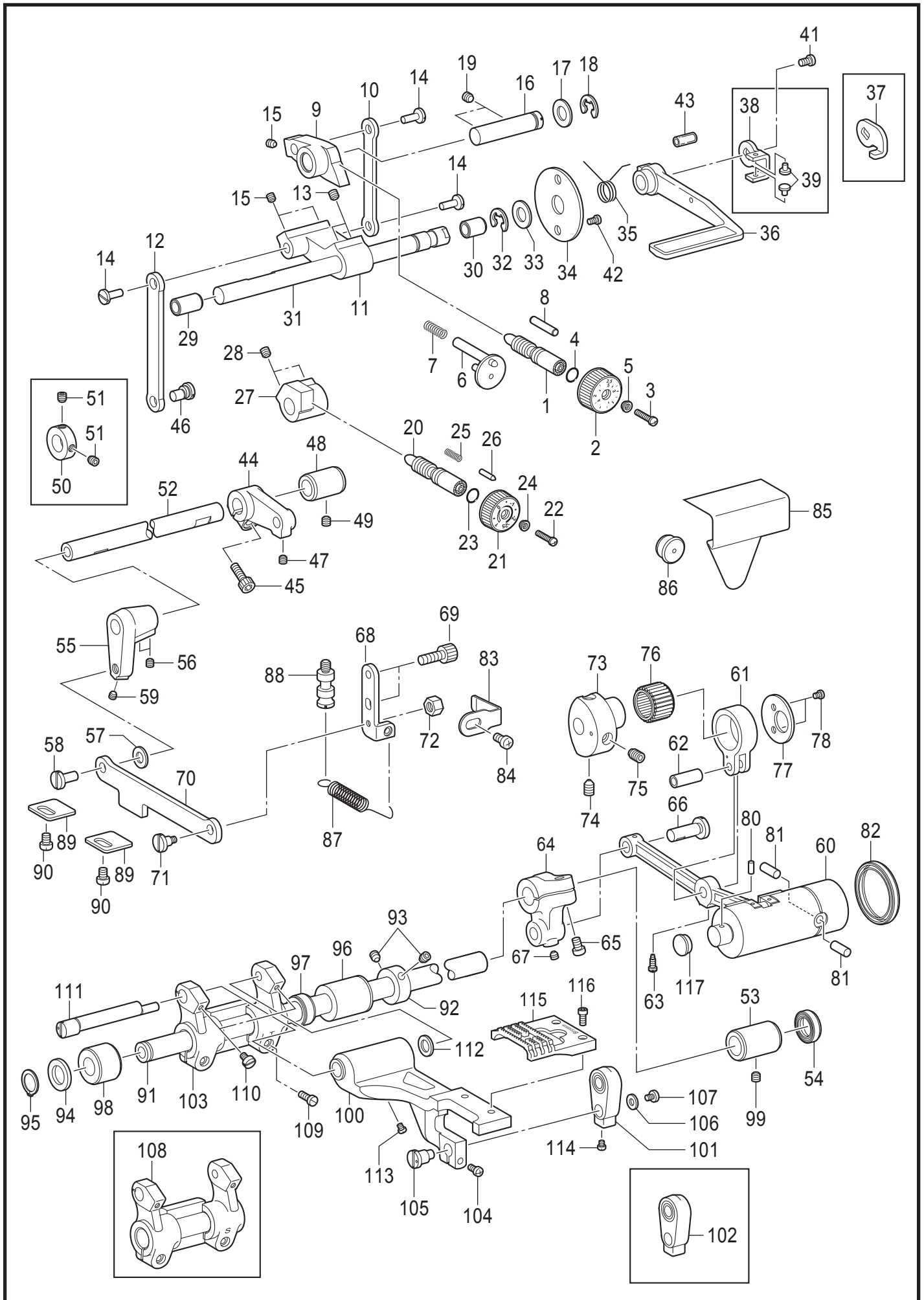
E. 送料装置 / Feed mechanism



## E. 送料装置 / Feed mechanism

参照号	零部件序号	数量	零部件名称	NAME OF PARTS	RM
56	012060536	2	螺钉 M6X5	SET SCREW, SOCKET (FT) M6X5	
57	SA4932001	1	垫圈	WASHER	
58	151308102	1	连杆轴 12.5	STUD 12.5	
59	012500536	1	螺钉 M5X5	SET SCREW SOCKET (FT) M5X5	
60	SA7709001	1	切换器总组件	FEED REGULATOR UNIT	
61	SA4980001	1	送布驱动杆	F-DRIVING CONNECTING ROD	
62	110562001	1	轴	SHAFT	
63	SA4981001	1	螺钉 SM3.5	SCREW, SM3.5	
64	SA4982001	1	水平送布臂	FEED ROCKER ARM	
65	062061616	1	螺钉 M6X16	SCREW PAN M6X16	
66	S53825001	1	短轴 7.24	SHAFT, 7.24	
67	012500536	1	螺钉 M5X5	SET SCREW SOCKET (FT) M5X5	
68	SA4983001	1	切换器臂	FEED REGULATOR LEVER	
69	018501032	2	螺栓 M5X10	BOLT SOCKET M5X10	
70	SA4984001	1	切换器连杆	F-REGULATOR CONNECTING ROD	
71	SA4985001	1	轴位螺钉 M5	SHOULDER SCREW, M5	
72	021500312	1	六角螺母 M5	NUT 3 M5	
73	SA4987101	1	水平偏心轮	LEVEL FEED ECCENTRIC WHEEL	
74	S25240001	1	螺钉 M6X10	SET SCREW SOCKET (CN) M6X10	
75	S25236001	1	螺钉 M6X10	SET SCREW SOCKET (FT) M6X10	
76	SA4988001	1	滚针轴承 20	ROLLER BEARING, RADIAL 20	
77	SA4989001	1	驱动杆支板	HOLDER	
78	062350616	2	螺钉 M3.5X6	SCREW PAN M3.5X6	
80	SA4990001	1	油毡	FELT	
81	148743001	2	油毡	FELT	
82	SA4991001	1	油封	OIL SEAL	
83	SA4992001	1	切换器定位	F-REGULATOR STOPPER	
84	062060816	1	螺钉 M6X8	SCREW PAN M6X8	
85	SA2377001	1	带胶贴片	RUBBER CAP LABEL	
86	S34352101	1	橡皮塞 13.5	RUBBER CAP, 13.5	
87	SA7499001	1	切换器弹簧	EXTENSION SPRING	
88	SA4994101	1	弹簧挂钩	SPRING HOOK	
89	SA4995001	2	送布调整定位	FEED ADJUSTING STOPPER	
90	062061016	2	螺钉 M6X10	SCREW PAN M6X10	
91	SA4996001	1	水平送布轴	FEED ROCKER SHAFT	
92	SA4997101	1	紧圈	SET SCREW COLLAR	
93	S23651001	2	固定螺钉 M6X6	SET SCREW SOCKET (FT) M6X6	
94	142628001	1	垫圈	SPACER	
95	048110142	1	轴用挡圈 C11	RETAINING RING EXTERNAL C11	
96	SA4998001	1	水平送布轴套 M	BUSH, M	
97	SA4999001	1	油封	OIL SEAL	
98	SA5001001	1	水平送布轴套 L	BUSH, L	
99	012060536	1	螺钉 M6X5	SET SCREW, SOCKET (FT) M6X5	
100	SA5003001	1	送料台组件	FEED BAR ASSY	
101	SA5016001	1	<用于8560B> 上下送布连环组件	<For 8560B> FEED LIFTING LINK ASSY	
102	SA5010001	1	<用于8550B> 上下送布连环组件	<For 8550B> FEED LIFTING LINK ASSY	
103	SA8038001	1	<用于8560B> 水平送布台臂	<For 8560B> FEED ROCKER BRACKET ARM	
104	062401416	1	螺钉 M4X14	SCREW PAN M4X14	
105	SA5006001	1	偏心销	PIN	
106	105161004	1	垫圈	WASHER PLAIN	
107	062300616	1	螺钉 M3X6	SCREW PAN M3X6	
108	SA8037001	1	<用于8550B> 水平送布台臂	<For 8550B> FEED ROCKER BRACKET ARM	
109	SA7257001	2	螺钉 M5X12	SCREW 5X12	

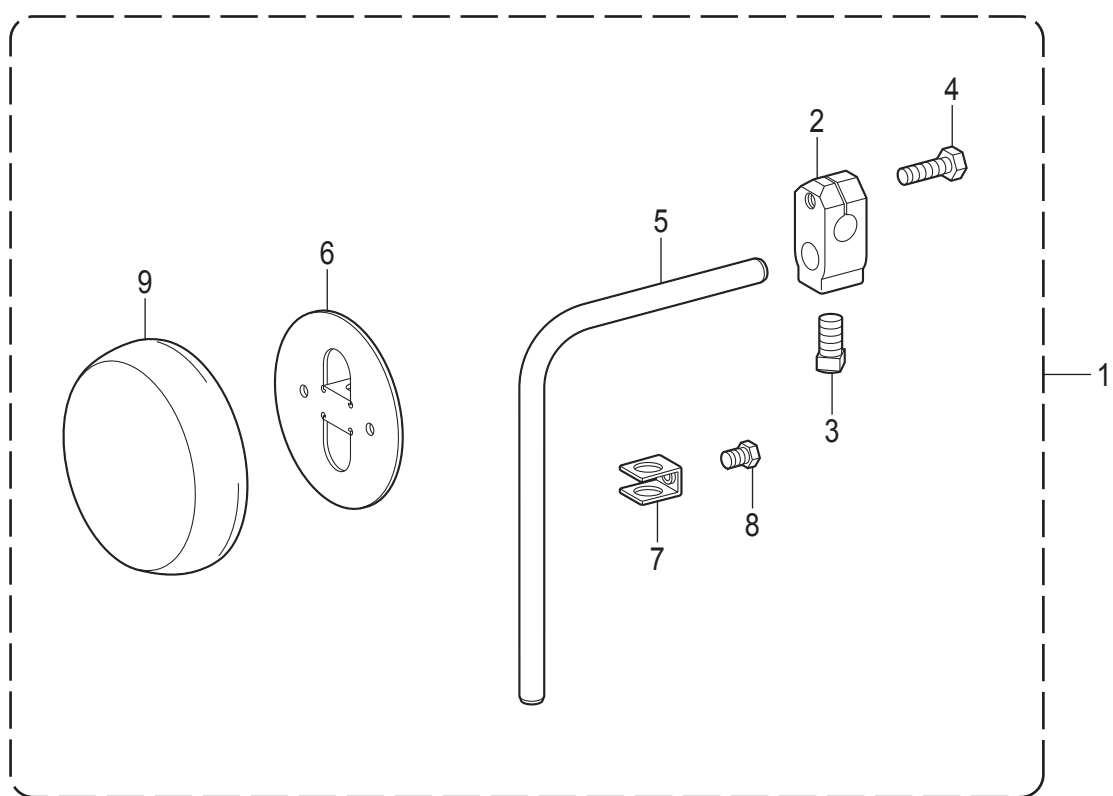
E. 送料装置 / Feed mechanism



## E. 送料装置 / Feed mechanism

参照号	零部件序号	数量	零部件名称	NAME OF PARTS	RM
110	SA1242001	2	螺钉 M5X7	SET SCREW 5X7	
111	SA5009001	1	水平送布台轴	F-ROCKER BASE SHAFT	
112	S48140001	1	垫圈	WASHER	
113	062300416	1	螺钉 M3X4	SCREW PAN M3X4	
114	062300416	1	螺钉 M3X4	SCREW PAN M3X4	
115	S58908001	1	送布牙	FEED DOG	
116	S07494001	2	螺钉 SM3.18X7	SCREW, W/SOCKET SM3.18X7	
117	SA7706001	1	橡皮塞 12.5	RUBBER CAP 12.5	

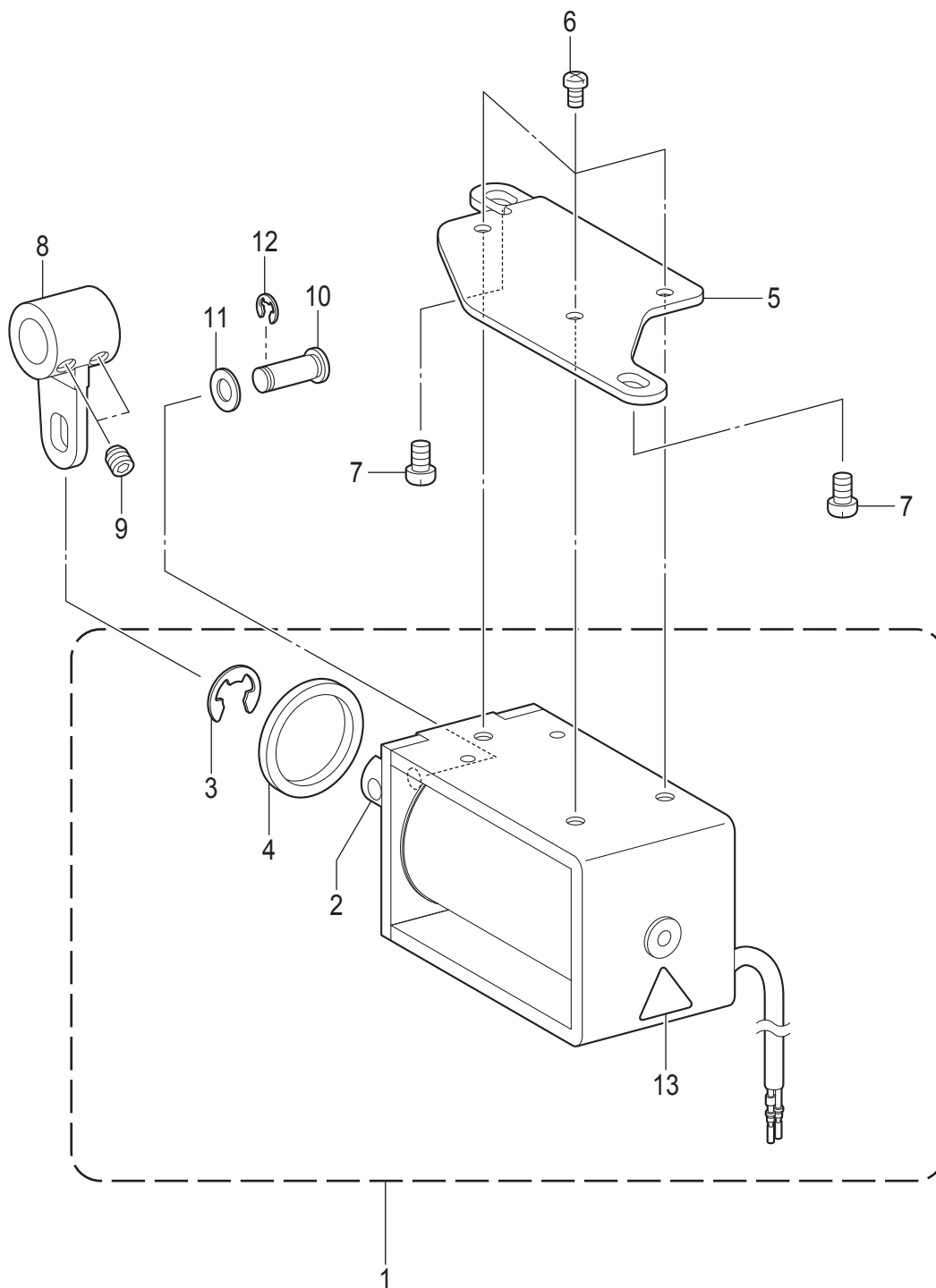
F. 膝控提升装置 / Knee lifter mechanism



F. 膝控提升装置 / Knee lifter mechanism

参照号	零部件序号	数量	零部件名称	NAME OF PARTS	RM
1	S35821021	1	膝控碰块组件	KNEE LIFTER ASSY	
2	146039121	1	碰块弯杆接头	KNEE LIFTER BRACKET	
3	100463021	1	四角型螺栓 SM7.94	BOLT SQUARE SM7.94	
4	S35820021	1	螺栓 SM5.95X20	BOLT, SM5.95X20	
5	104619022	1	膝控碰块弯杆	KNEE LIFTER BAR	
6	S34756021	1	膝控碰块	KNEE LIFTER PLATE	
7	114967021	1	碰块架	KNEE LIFTER PLATE STOPPER	
8	110087021	1	螺栓 SM5.95-28X8	BOLT SM5.95-28X8	
9	S31885001	1	膝控碰块垫	KNEE LIFTER PLATE COVER	

G. 倒缝装置 / Quick reverse mechanism

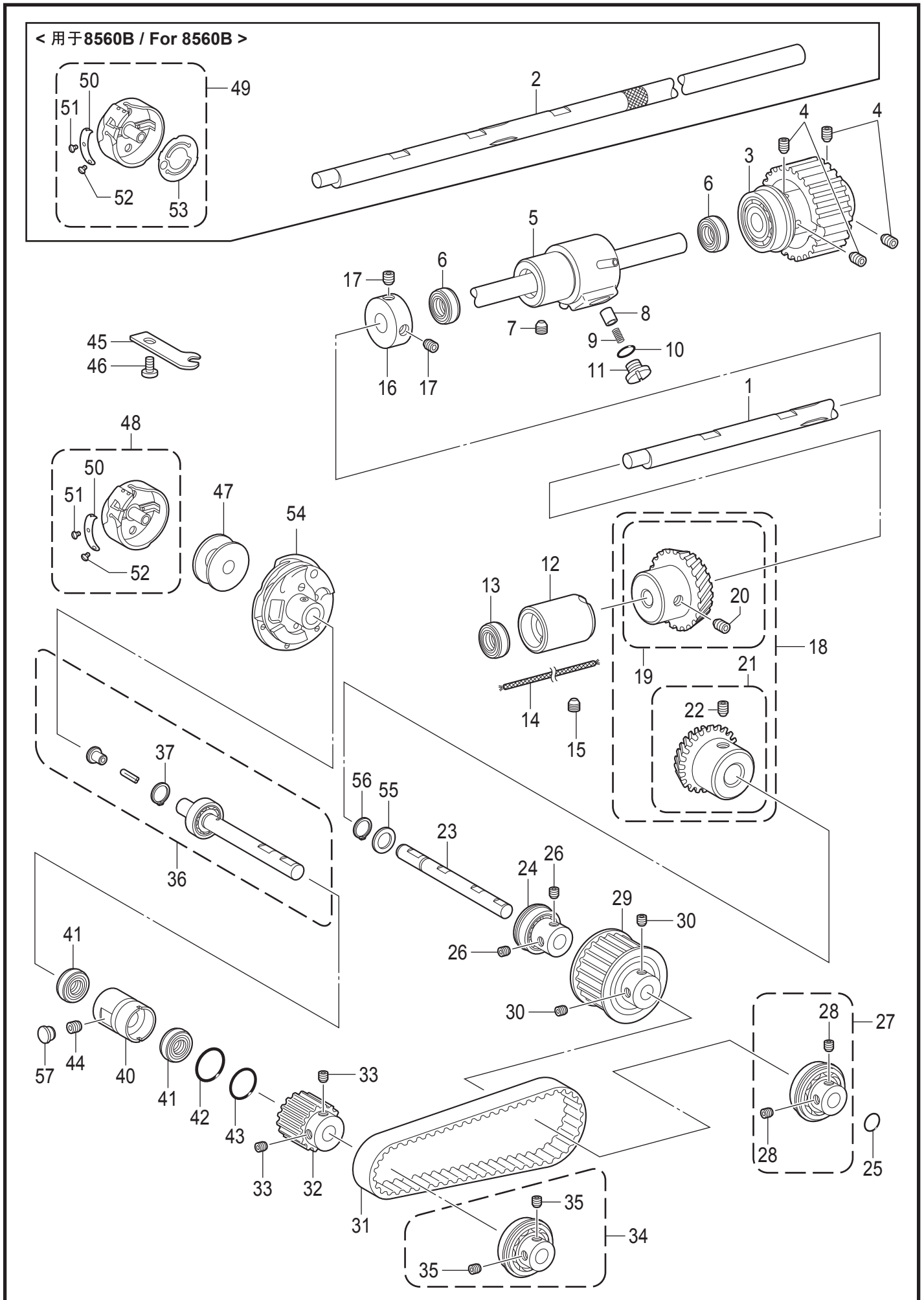




G. 倒缝装置 / Quick reverse mechanism

参照号	零部件序号	数量	零部件名称	NAME OF PARTS	RM
			<用于8550B-A31、8560B>	<For 8550B-A31 & 8560B>	
1	SC0095001	1	倒缝电磁铁总组件	QUICK REVERSE SOLENOID UNIT	
2	154729001	1	柱塞	PLUNGER	
3	154730001	1	挡圈 E15	RETAINING RING E15	
4	154731000	1	橡胶垫	RUBBER STOPPER	
5	SA5018001	1	电磁铁底板	SOLENOID BASE	
6	062500816	3	螺钉 M5X8	SCREW PAN M5X8	
7	062061016	2	螺钉 M6X10	SCREW PAN M6X10	
8	SA5019001	1	电磁铁控制杆	SOLENOID LEVER	
9	S23651001	2	固定螺钉 M6X6	SET SCREW SOCKET (FT) M6X6	
10	SA2992001	1	连接销	PIN	
11	153138001	1	垫圈 6.5	WASHER, PLAIN 6.5	
12	048060142	1	轴用挡圈 C6	RETAINING RING EXTERNAL C6	
13	SB0827001	1	高温标志	HIGH TEMP LABEL	

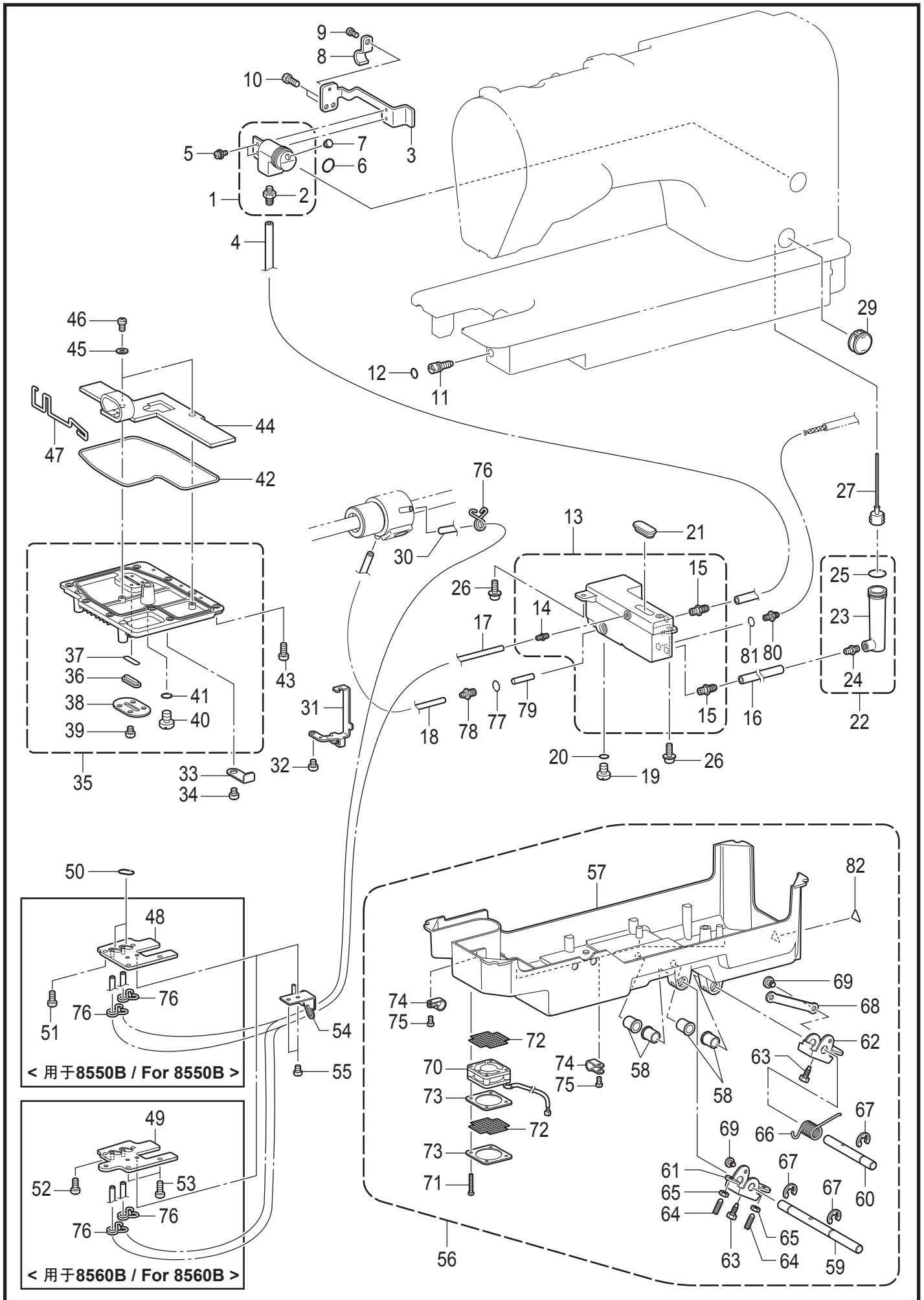
# H. 旋梭装置 / Rotary hook mechanism



H. 旋梭装置 / Rotary hook mechanism

参照号	零部件序号	数量	零部件名称	NAME OF PARTS	RM
1	SA8428001	1	<用于8550B> 下轴	<For 8550B> LOWER SHAFT	
2	SA8427001	1	<用于8560B> 下轴	<For 8560B> LOWER SHAFT	
3	SA5022101	1	同步轮组件 D	TIMING PULLEY ASSY D	
4	S23651001	4	固定螺钉 M6X6	SET SCREW SOCKET (FT) M6X6	
5	SA5007001	1	下轴套组件 M	LOWER SHAFT BUSH M ASSY	
6	SA4971001	2	油封	OIL SEAL	
7	012060536	1	螺钉 M6X5	SET SCREW, SOCKET (FT) M6X5	
8	144875001	1	柱塞	PLUNGER	
9	S52764001	1	弹簧	SPRING COMPRESSION	
10	081006670	1	O形圈 PW6	O RING PW6	
11	SA6367001	1	螺钉 M8X7	SCREW M8X7	
12	SA5027001	1	下轴套 F	LOWER SHAFT BUSH F	
13	SA4971001	1	油封	OIL SEAL	
14	SA5028001	1	油线	WICK	
15	012060536	1	螺钉 M6X5	SET SCREW, SOCKET (FT) M6X5	
16	SA5029001	1	紧圈	SET SCREW COLLAR	
17	S23651001	2	固定螺钉 M6X6	SET SCREW SOCKET (FT) M6X6	
18	SA5030001	1	伞齿轮组件 Z	BEVEL GEAR ASSY,Z	
19	SA5031001	1	下轴伞齿轮组件 Z	BEVEL GEAR ASSY,Z-LOWER	
20	014770632	2	螺钉 SM6.35-40X6	SET SCREW SOCKET SM6.35-40X6	
21	183307001	1	下轴伞齿轮组件	BEVEL GEAR ASSY, L-SHAFT	
22	014770632	2	螺钉 SM6.35-40X6	SET SCREW SOCKET SM6.35-40X6	
23	SA5033201	1	旋梭驱动轴	ROTARY HOOK DRIVING SHAFT	
24	SA5034301	1	轴承组件	BEARING COLLAR ASSY	
25	081008870	1	O形圈 S8	O RING S8	
26	012500536	2	螺钉 M5X5	SET SCREW SOCKET (FT) M5X5	
27	SA5037101	1	轴承组件	BEARING COLLAR ASSY	
28	012500536	2	螺钉 M5X5	SET SCREW SOCKET (FT) M5X5	
29	SA5040001	1	同步轮组件 39	TIMING PULLEY ASSY,39	
30	012500536	2	螺钉 M5X5	SET SCREW SOCKET (FT) M5X5	
31	SA5043201	1	同步皮带	TIMING BELT	
32	SA5044101	1	同步轮 26	TIMING PULLEY 26	
33	012500536	2	螺钉 M5X5	SET SCREW SOCKET (FT) M5X5	
34	SA5037101	1	轴承组件	BEARING COLLAR ASSY	
35	012500536	2	螺钉 M5X5	SET SCREW SOCKET (FT) M5X5	
36	SA8426201	1	旋梭轴组件	ROTARY HOOK SHAFT ASSY	
37	048080142	1	轴用挡圈 C8	RETAINING RING EXTERNAL C8	
40	SA5048101	1	旋梭轴套	ROTARY HOOK SHAFT BUSH	
41	SA5049101	2	油封	OIL SEAL	
42	081015070	1	O形圈 P15	O RING P15	
43	081014670	1	O形圈 PW14	O RING PW14	
44	012060536	1	螺钉 M6X5	SET SCREW, SOCKET (FT) M6X5	
45	S48179001	1	内旋梭定位片	B-CASE HOLDER POSITION BRACKET	
46	060670812	1	螺钉 SM3.57-40X8	SCREW BIND SM3.57-40X8	
47	SA5126001	1	梭芯	BOBBIN	
50	S09477001	1	弹簧	SPRING	
51	180721001	1	螺钉	SCREW	
52	183507001	1	调节螺钉	ADJUSTING SCREW	
54	SA8194101	1	盒装旋梭组件 SA8195	ROTARY HOOK ASSY W/BOX SA8195	
55	110367001	1	垫圈 8	WASHER, PLAIN SPECIAL 8	
56	048080142	1	轴用挡圈 C8	RETAINING RING EXTERNAL C8	
57	S32263001	1	橡皮塞8.5	RUBBER CAP, 8.5	
48	SA8128001	1	<用于8550B> 梭芯套组件	<For 8550B> BOBBIN CASE ASSY	
49	SA8127001	1	<用于8560B> 梭芯套组件	<For 8560B> BOBBIN CASE ASSY	
53	SA8126001	1	旋梭空转防止簧	ANTI-SPIN SPRING	

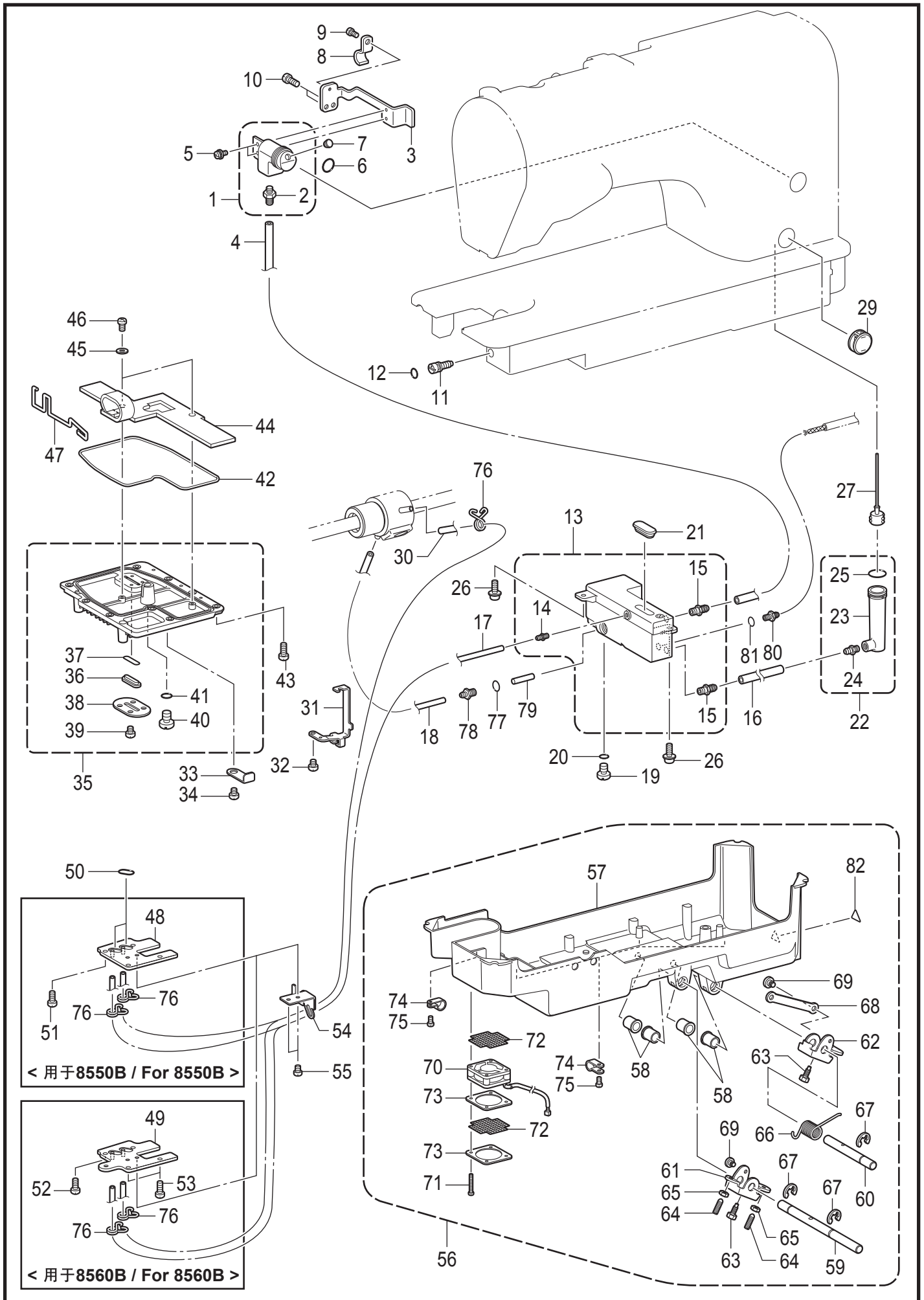
J. 供油润滑装置 / Lubrication



J. 供油润滑装置 / Lubrication

参照号	零部件序号	数量	零部件名称	NAME OF PARTS	RM
1	SA4265001	1	供油口组件	OIL FEEDING ASSY	
2	S51815001	1	供油口 8.6	OIL FEEDING PIPE 8.6	
3	SA5062001	1	供油口安装板	OIL FEEDING SETTING PLATE	
4	SA5063001	1	油管	VINYL TUBE	
5	0A5400806	2	螺钉(带垫圈) M4X8DB	SCREW PAN (S/P WASHER) M4X8	
6	081022870	1	O形圈 S22	O RING S22	
7	104450101	1	橡皮塞 8	RUBBER CAP, 8	
8	140647101	1	电线固定夹	CORD HOLDER	
9	062400616	1	螺钉 M4X6	SCREW PAN M4X6	
10	062501016	2	螺钉 M5X10	SCREW PAN M5X10	
11	SA5065101	1	油量调节螺钉	ADJUSTING SCREW	
12	081004870	1	O形圈 S4	O RING S4	
13	SA8995101	1	油罐组件	OIL TANK ASSY	
14	SA8990001	1	供油口 9	OIL FEEDING PIPE 9	
15	S51815001	2	供油口 8.6	OIL FEEDING PIPE 8.6	
16	SA8996001	1	油管 L=28	OIL TUBE L=28	
			<用于8550B>	<For 8550B>	
17	SA5073001	1	油管 L=340	OIL TUBE L=340	
			<用于8560B>	<For 8560B>	
17	SA5071001	1	油管 L=350	OIL TUBE L=350	
18	SA8997001	1	维尼龙管 L=122	VINYL TUBE L=122	
19	SA1303101	1	螺钉8	SCREW M8	
20	081008070	1	O形圈 P8	O RING P8	
21	SA8991001	1	橡皮塞35-12	RUBBER CAP 35-12	
22	SA1306001	1	副油罐组件	SUB TANK ASSY	
23	SA1307001	1	副油罐	SUB TANK	
24	S51815001	1	供油口 8.6	OIL FEEDING PIPE 8.6	
25	081022870	1	O形圈 S22	O RING S22	
26	0A4501206	2	螺钉(带垫圈) M5X12DA	SCREW PAN (S/P WASHER) M5X12	
27	SA9795101	1	油量浮标组件	FLOAT ASSY	
29	S47509001	1	油量视窗	OIL GAUGE WINDOW	
30	SA5071001	1	油管 L=350	OIL TUBE L=350	
31	SA6094001	1	油管支架板 A	PRESSER PLATE A	
32	062500616	1	螺钉 M5X6	SCREW PAN M5X6	
33	SA6095001	1	油管支架板 B	PRESSER PLATE B	
34	062500616	1	螺钉 M5X6	SCREW PAN M5X6	
35	SA5076101	1	底板侧盖组件	BED BOTTOM COVER ASSY	
36	S51272100	1	底板油窗	OIL WINDOW B-COVER	
37	081015870	1	O形圈 S15	O RING S15	
38	SA1313101	1	窗盖	WINDOW COVER	
39	062500616	4	螺钉 M5X6	SCREW PAN M5X6	
40	SA1303101	2	螺钉8	SCREW M8	
41	081008070	2	O形圈 P8	O RING P8	
42	SA5078001	1	侧盖垫片	BOTTOM COVER PACKING	
43	062501216	9	螺钉 M5X12	SCREW PAN M5X12	
44	SA5079001	1	侧盖油毡	BOTTOM COVER FELT	
45	025040332	2	平垫圈 L4	WASHER PLAIN L 4	
46	062400616	2	螺钉 M4X6	SCREW PAN M4X6	
47	SA6165001	1	油线压夹	WICK SUPPORT	
50	081013870	2	O形圈 S12.5	O RING S12.5	

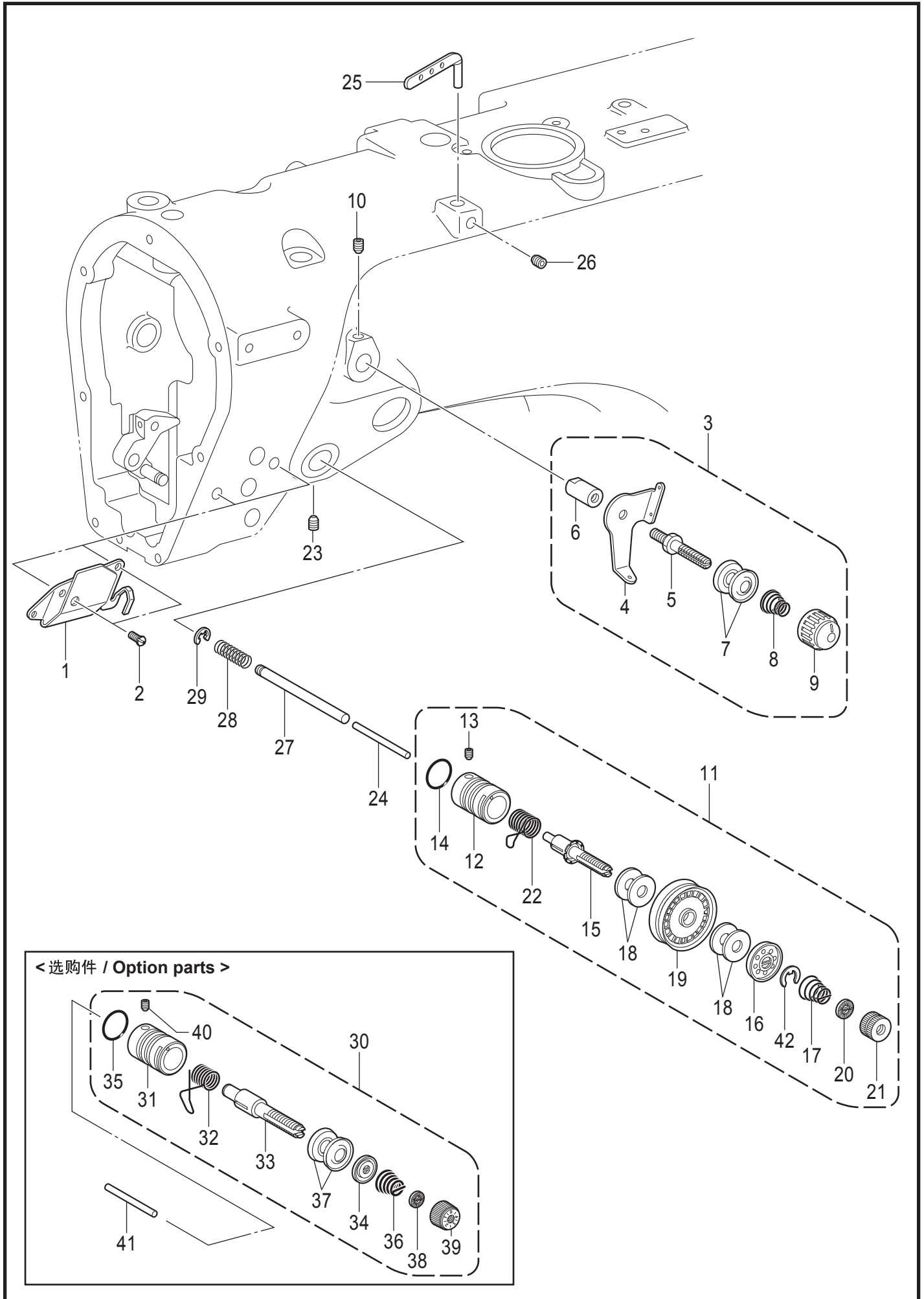
J. 供油润滑装置 / Lubrication



J. 供油润滑装置 / Lubrication

参照号	零部件序号	数量	零部件名称	NAME OF PARTS	RM
			<用于8550B>	<For 8550B>	
48	SA9394001	1	旋梭轴盖	ROTARY HOOK SHAFT COVER	
51	062501016	4	螺钉 M5X10	SCREW PAN M5X10	
			<用于8560B>	<For 8560B>	
49	SA9393001	1	旋梭轴盖	ROTARY HOOK SHAFT COVER	
52	062501016	2	螺钉 M5X10	SCREW PAN M5X10	
53	062501216	2	螺钉 M5X12	SCREW PAN M5X12	
54	SA6646001	1	油管架	TUBE HOLDER	
55	062500616	2	螺钉 M5X6	SCREW PAN M5X6	
56	SB9630101	1	油盘组件	OIL PAN ASSY	
57	SB9631101	1	油盘	OIL PAN	
58	149578000	4	轴套	BUSH	
59	SA5082001	1	膝控轴 L	KNEE LIFTER SHAFT L	
60	SA1324001	1	膝控轴R	KNEE LIFTER SHAFT R	
61	SA1325101	1	膝控	KNEE LIFTER	
62	SA1326101	1	膝控 R	KNEE LIFTER, R	
63	S25344001	2	螺栓 M6	BOLT M6	
64	SB0687001	2	螺钉 M6X24	SET SCREW M6X24	
65	021060306	2	六角螺母 M6	NUT 3 M6	
66	SA3508001	1	复位弹簧	TWIST SPRING	
67	146293001	3	挡圈 E10	RETAINING RING E10	
68	SA5083001	1	膝控连接杆	KNEE LIFTER CONNECTING ROD	
69	SA1179001	2	轴位螺钉 M5	SHOULDER SCREW M5	
70	SB9614001	1	风扇马达	FAN MOTOR	
71	062302506	4	螺钉 M3X25	SCREW PAN M3X25	
72	SB9629001	2	过滤毡	FILTER	
73	SA6645001	2	风扇盖	FAN COVER	
74	625010000	4	尼龙夹 NK-2N	NYLON CLAMP NK-2N	
75	062400816	4	螺钉 M4X8	SCREW PAN M4X8	
76	S07876101	3	油管夹	TUBE CLIP	
77	081006670	1	O形圈 PW6	O RING PW6	
78	SA8989001	1	供油口	OIL FEEDING PIPE	
79	SA8987001	1	过滤毡	FILTER	
80	SA8999001	1	供油口3.8	OIL FEEDING PIPE 3.8	
81	081006070	1	O形圈P6	O RING P6	
82	SB0827001	1	高温标志	HIGH TEMP LABEL	

K. 穿线装置 / Threading mechanism

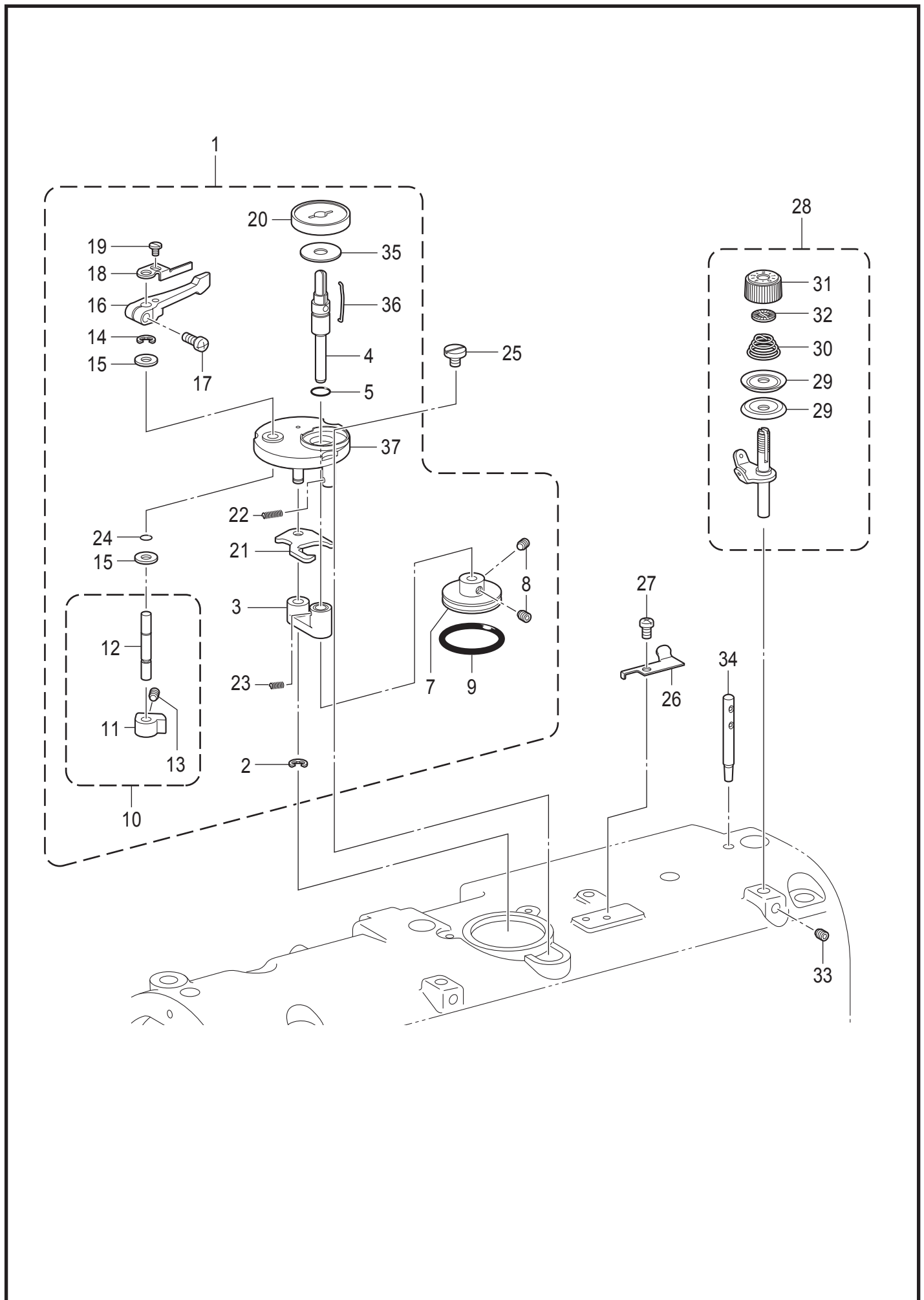




K. 穿线装置 / Threading mechanism

参照号	零部件序号	数量	零部件名称	NAME OF PARTS	RM
1	SA5084101	1	线导向	THREAD GUIDE	
2	SA5124001	2	螺钉 M4	SCREW, FLAT M4	
3	SA5085101	1	张力器组件	PRE-TENSION ASSY	
4	SA5086001	1	线导向	THREAD GUIDE	
5	S45563001	1	夹线螺杆	THREAD GUIDE TENSION STUD	
6	SA2363001	1	小夹线套	PRE-TENSION BASE	
7	144504001	2	导向盘	THREAD GUIDE DISC	
8	SA2358101	1	小夹线弹簧 B	PRE-TENSION SPRING B	
9	SA6167001	1	线调节螺母	THREAD TENSION NUT	
10	012500536	1	螺钉 M5X5	SET SCREW SOCKET (FT) M5X5	
11	SA5088401	1	夹线器大组件	THREAD TENSION BRACKET ASSY	
12	S50390101	1	夹线支架	TENSION STUD BRACKET	
13	100402004	1	固定螺钉 SM3.57	SET SCREW SM3.57	
14	081014870	1	O形圈 S14	O RING S14	
15	SA7988101	1	夹线螺杆	TENSION STUD	
16	SA7990001	1	夹线压板	TENSION DISC PRESSER	
17	SA7872001	1	夹线弹簧	SPRING TENSION	
18	S48089000	4	垫毡	TENSION DISC FELT	
19	S48090001	1	转盘	ROTARY DISC	
20	151148001	1	止动圈 ML	STOPPER ML	
21	S48370001	1	夹线螺母	TENSION NUT	
22	SA5089101	1	挑线弹簧	THREAD TAKE-UP SPRING	
23	SA1229101	1	螺钉 M6X6	SET SCREW (FT) M6X6	
24	152873001	1	松线销	TENSION RELEASE PIN	
25	SA2636001	1	三眼线勾	THREAD RETAINER	
26	012500536	1	螺钉 M5X5	SET SCREW SOCKET (FT) M5X5	
27	SA5090001	1	松线杆	TENSION RELEASE STUD	
28	S29132001	1	微调弹簧	SPRING, MICRO ADJUSTING	
29	048040342	1	挡圈 E4	RETAINING RING E4	
42	SA4233001	1	定位圈	KNOB NUT STOPPER	
			<b>&lt;选购件&gt;</b>	<b>&lt;Option parts&gt;</b>	
30	SA7439101	1	夹线器组件	THREAD TENSION ASSY	
31	S50390101	1	夹线支架	TENSION STUD BRACKET	
32	S02620401	1	挑线弹簧	THREAD TAKE-UP SPRING	
33	116922201	1	夹线螺杆	TENSION STUD	
34	159805001	1	夹线压盘	TENSION DISC PRESSER	
35	081014870	1	O形圈 S14	O RING S14	
36	SA7275001	1	夹线弹簧	TENSION SPRING	
37	145446002	2	夹线盘	DISC TENSION	
38	S12441001	1	止动垫圈	WASHER	
39	S31032002	1	压线螺母	TENSION NUT	
40	100402004	1	固定螺钉 SM3.57	SET SCREW SM3.57	
41	SA7440001	1	松线销	TENSION RELEASE PIN	

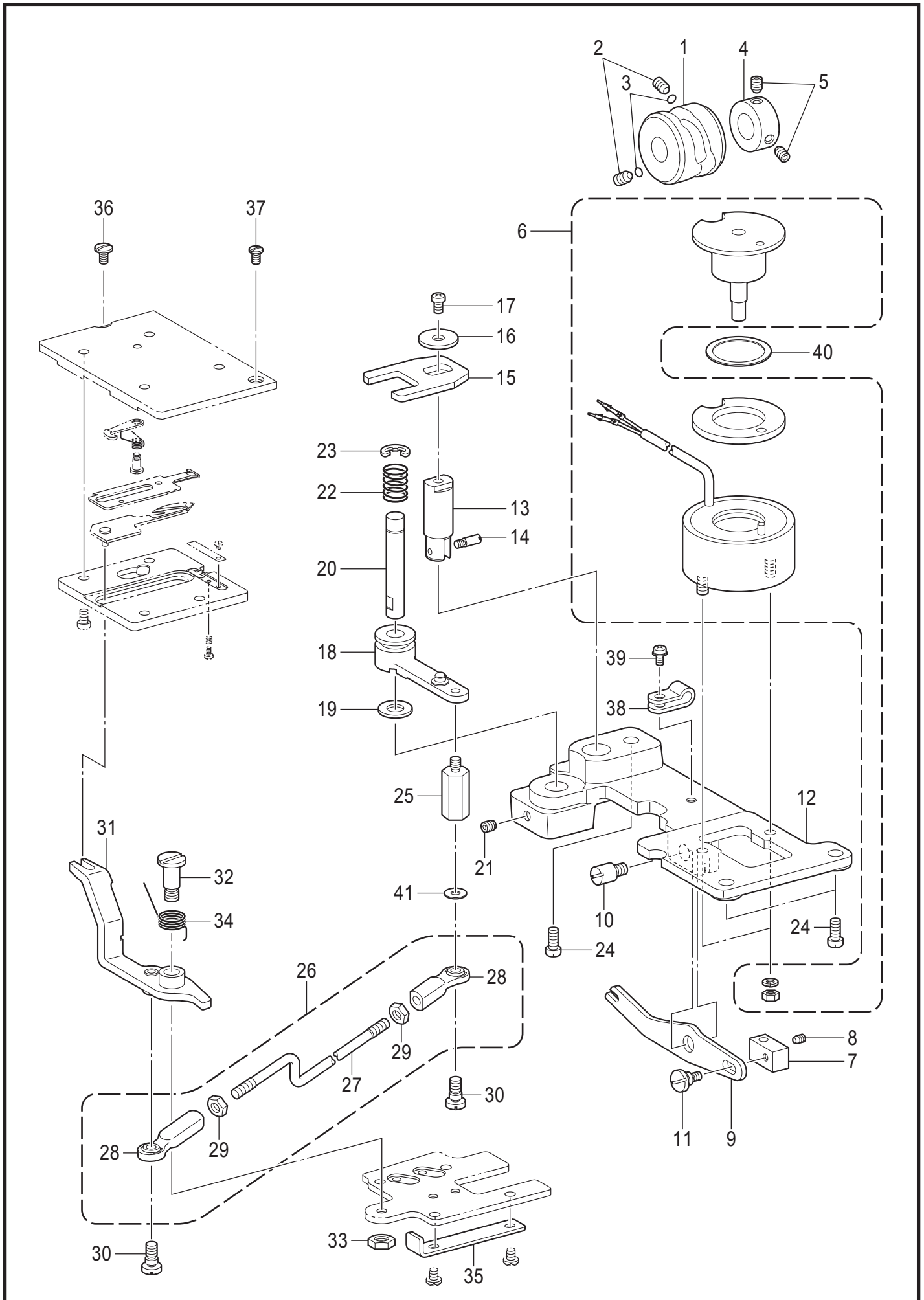
L. 绕线装置 / Bobbin winder mechanism



## L. 绕线装置 / Bobbin winder mechanism

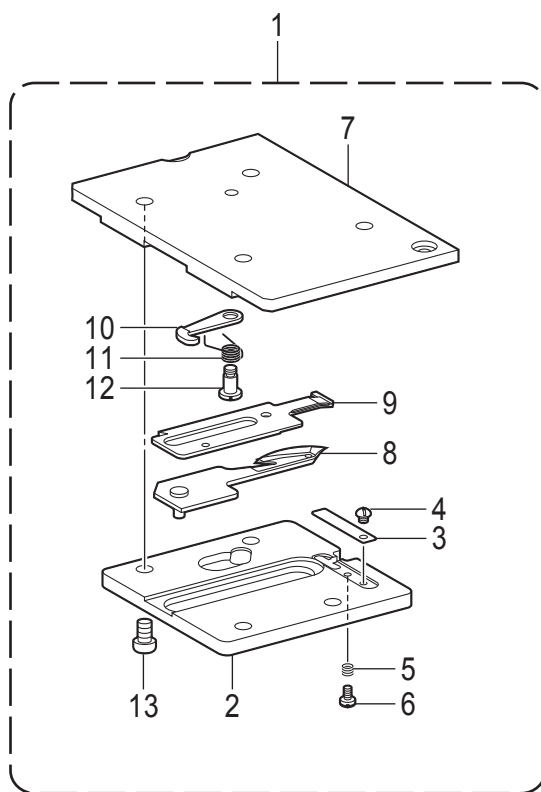
参照号	零部件序号	数量	零部件名称	NAME OF PARTS	RM
1	SB2245002	1	绕线器组件	BOBBIN WINDER UNIT	
2	048040342	1	挡圈 E4	RETAINING RING E4	
3	SA8508001	1	绕线轴基座组件	B-WINDER SHAFT SUPPORT ASSY	
4	SB2247001	1	绕线轴	BOBBIN WINDER SHAFT	
5	108549001	1	O形圈	O RING	
7	SA8507001	1	绕线轮	BOBBIN WINDER WHEEL	
8	012400636	2	螺钉 M4X6	SET SCREW SOCKET (FT) M4X6	
9	SA8503001	1	橡皮塞	RUBBER RING	
10	SA1981301	1	梭芯夹凸轮组件	BOBBIN PRESSER CAM ASSY	
11	SA1982101	1	梭芯夹凸轮	BOBBIN PRESSER CAM	
12	SA1983201	1	梭芯夹轴	BOBBIN WINDER ARM SHAFT	
13	012500536	1	螺钉 M5X5	SET SCREW SOCKET (FT) M5X5	
14	048040342	1	挡圈 E4	RETAINING RING E4	
15	025060136	2	平垫圈 S6	WASHER PLAIN S 6	
16	SA1984001	1	梭芯压臂柄	BOBBIN PRESSER ARM	
17	018401236	1	螺栓 M4X12	BOLT SOCKET M4X12	
18	SA1985001	1	梭芯夹	BOBBIN PRESSER	
19	S23418002	1	螺钉 M4X5	SCREW M4X5	
20	SB2246001	1	梭芯座	BOBBIN SUPPORT	
21	SA8512101	1	绕线杠杆	BOBBIN WINDER LEVER	
22	SA1990101	1	弹簧	SPRING	
23	SA8509001	1	弹簧	BOBBIN WINDER BASE SPRING	
24	SA2190001	1	O形密封圈 SS5	O RING SS5	
25	SA1992101	3	固定螺钉	BOBBIN WINDER FIXED SCREW	
26	SA1360101	1	切刀	KNIFE	
27	062500616	1	螺钉 M5X6	SCREW PAN M5X6	
28	SA5091001	1	绕线张力器组件	BOBBIN WINDER TENSION ASSY	
29	145446002	2	夹线盘	DISC TENSION	
30	115188101	1	夹线弹簧	TENSION SPRING	
31	S31032001	1	压线螺母	TENSION NUT	
32	S12441001	1	止动垫圈	WASHER	
33	012500536	1	螺钉 M5X5	SET SCREW SOCKET (FT) M5X5	
34	SA1359001	1	穿线杆	SPOOL PIN	
35	SB2275001	1	垫片	SHEET	
36	SA9563001	1	梭芯固定簧	BOBBIN FIXED SPRING	
37	SA8982202	1	绕线器底座	BOBBIN WINDER BASE	

M1. 切线装置 / Thread trimmer mechanism

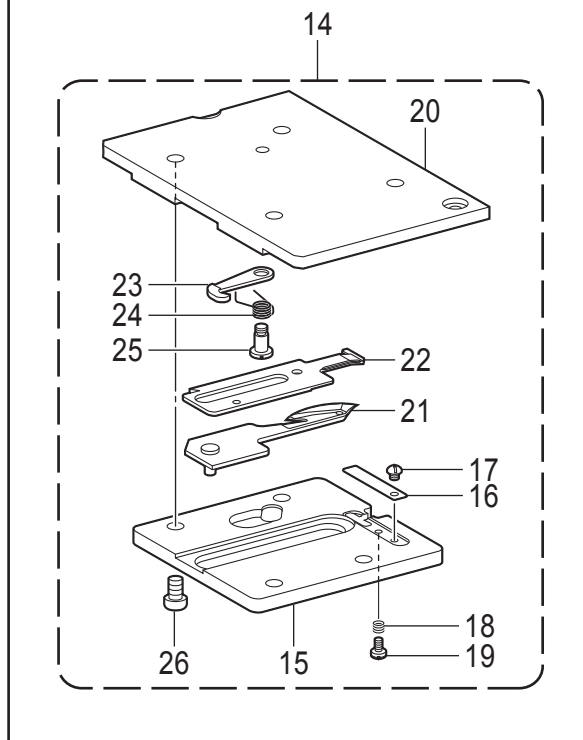


## M1. 切线装置 / Thread trimmer mechanism

参照号	零部件序号	数量	零部件名称	NAME OF PARTS	RM
			<用于8560B>	<For 8560B>	
1	SA5092201	1	切线凸轮	THREAD TRIMMER CAM	
2	S23651001	2	固定螺钉 M6X6	SET SCREW SOCKET (FT) M6X6	
3	SA2378001	2	垫片 4.8	SPACER,4.8	
4	SA4968101	1	紧圈	SET SCREW COLLAR	
5	S23651001	2	固定螺钉 M6X6	SET SCREW SOCKET (FT) M6X6	
6	SB9607001	1	切线电磁铁	THREAD TRIMMER SOLENOID	
7	SA2644001	1	电磁铁接头	SOLENOID JOINT	
8	012500536	1	螺钉 M5X5	SET SCREW SOCKET (FT) M5X5	
9	S48226101	1	电磁铁杆	SOLENOID LEVER	
10	SA2647001	1	电磁铁杆短轴	SOLENOID LEVER SHAFT	
11	SA4985001	1	轴位螺钉 M5	SHOULDER SCREW, M5	
12	SA5094201	1	支撑基座	SUPPORT BASE	
13	SA6096001	1	切线轴杆	DRIVING ROD	
14	148546001	1	销	PLUNGER PIN	
15	S48229001	1	切线轴杆板	T-TRIMMER DRIVING ROD PLATE	
16	116662003	1	垫圈	WASHER	
17	062501016	1	螺钉 M5X10	SCREW PAN M5X10	
18	SB1450001	1	主杆组件	MAIN LEVER ASSY	
19	148559100	1	橡胶	RUBBER	
20	SA5095001	1	主杆轴	MAIN LEVER SHAFT	
21	012060636	1	螺钉 M6X6	SET SCREW SOCKET (FT) M6X6	
22	S48230001	1	主杆弹簧	COMPRESSION SPRING	
23	048070342	1	挡圈 E7	RETAINING RING E7	
24	062061616	3	螺钉 M6X16	SCREW PAN M6X16	
25	SA5096001	1	螺柱	STUD	
26	SA5097201	1	切刀驱动连杆组件	KNIFE DRIVING ROD ASSY	
27	SA5098101	1	切刀驱动连杆	KNIFE DRIVING ROD	
28	SA2663001	2	接头组件 R	ROUND JOINT ASSY R	
29	021060306	2	六角螺母 M6	NUT 3 M6	
30	SA2669001	2	轴位螺钉 SM5.95-28	SHOULDER SCREW M6	
31	SA5099101	1	切线驱动杆	THREAD TRIMMER DRIVING LEVER	
32	SA5100201	1	轴位螺钉 M6	SHOULDER SCREW M6	
33	021060306	1	六角螺母 M6	NUT 3 M6	
34	S48234101	1	弹簧	SPRING	
35	SA5101001	1	驱动杆定位	STOPPER	
36	112751003	1	螺钉 SM3.57X7	SCREW, SM3.57X7	
37	100257010	1	螺钉 SM3.57X6	SCREW, SM3.57X6	
38	S10243000	1	尼龙夹 NK-3N	CORD HOLDER:NK-3N	
39	0A5401006	1	螺钉(带垫圈) M4X10DB	SCREW PAN (S/P WASHER) M4X10	
40	SA8201001	1	垫片	AIR GAP SPACER	
41	025060232	1	平垫圈 M6	WASHER PLAIN M 6	



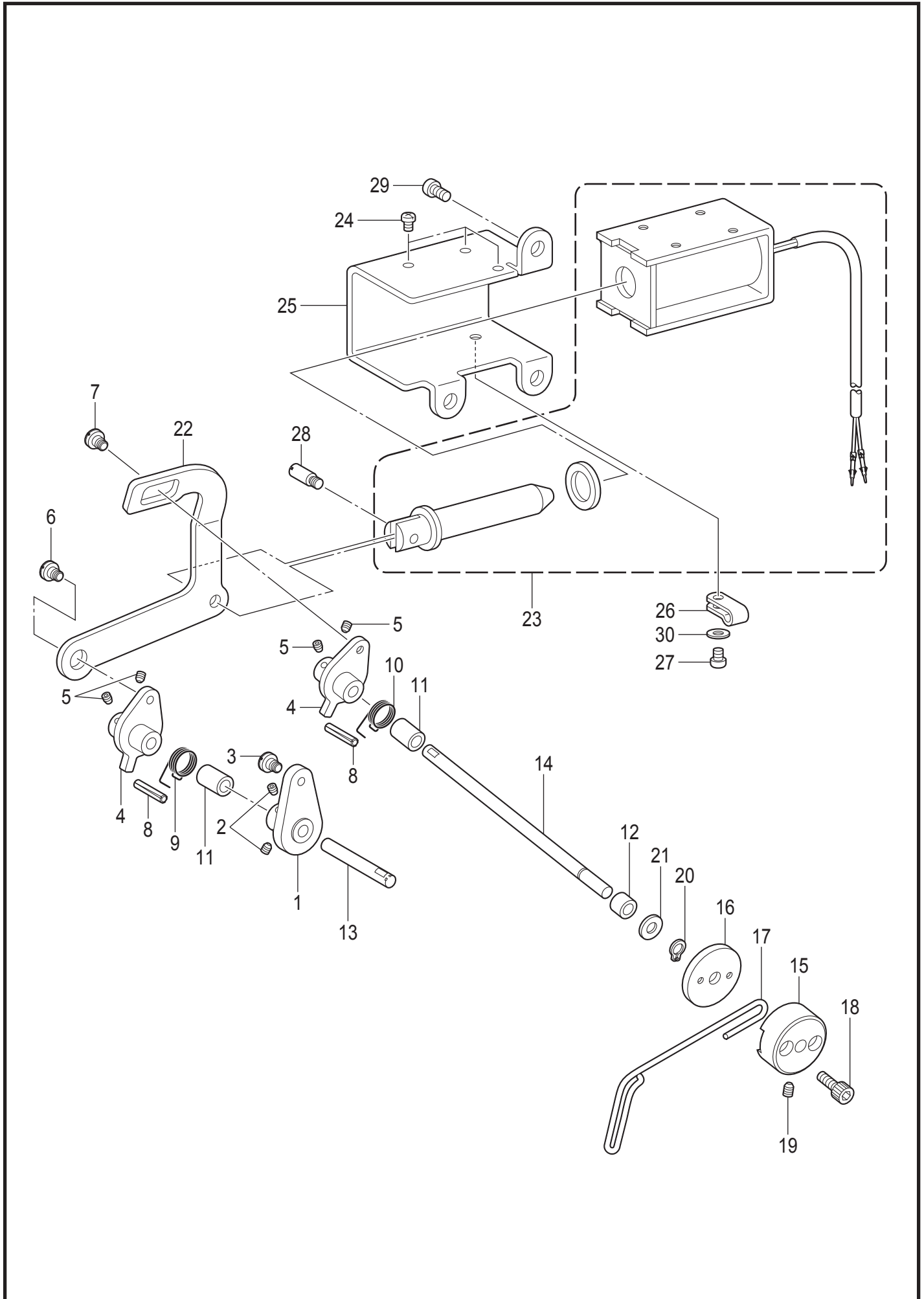
< 选购件 / Option parts >



M2. 切线装置 / Thread trimmer mechanism

参照号	零部件序号	数量	零部件名称	NAME OF PARTS	RM
			<b>&lt;用于8560B&gt;</b>	<b>&lt;For 8560B&gt;</b>	
1	S48236401	1	切刀复合件	KNIFE UNIT	
2	S48238101	1	切刀架	KNIFE HOLDER	
3	S48239001	1	板弹簧	PLATESPRING	
4	100105005	1	螺钉 SM2.38X2.4	SCREW, SM2.38X2.4	
5	S48240001	1	调节簧	ADJUSTING SPRING	
6	S48247001	1	螺钉SM2.38X5	SCREW, SM2.38X5	
7	SA8458001	1	切刀基座板	KNIFE BRACKET	
8	S55863101	1	动刀	MOVABLE KNIFE	
9	SA8459001	1	定刀	FIXED KNIFE	
10	S55865001	1	定刀离合器	FIXED KNIFE CLUTCH	
11	S48246001	1	弹簧	SPRING	
12	155103001	1	轴位螺钉 SM3.18	SHOULDER SCREW, SM3.18	
13	062670712	4	螺钉 SM3.57-40X7	SCREW PAN SM3.57-40X7	
			<b>&lt;选购件&gt;</b>	<b>&lt;Option parts&gt;</b>	
14	S58941201	1	切刀复合件 H	KNIFE UNIT H	
15	S48238101	1	切刀架	KNIFE HOLDER	
16	S48239001	1	板弹簧	PLATESPRING	
17	100105005	1	螺钉 SM2.38X2.4	SCREW, SM2.38X2.4	
18	S48240001	1	调节簧	ADJUSTING SPRING	
19	S48247001	1	螺钉SM2.38X5	SCREW, SM2.38X5	
20	SA8458001	1	切刀基座板	KNIFE BRACKET	
21	S58943001	1	动刀 H	MOVABLE KNIFE, H	
22	SA8459001	1	定刀	FIXED KNIFE	
23	S55865001	1	定刀离合器	FIXED KNIFE CLUTCH	
24	S48246001	1	弹簧	SPRING	
25	155103001	1	轴位螺钉 SM3.18	SHOULDER SCREW, SM3.18	
26	062670712	4	螺钉 SM3.57-40X7	SCREW PAN SM3.57-40X7	

N. 松线装置 / Tension release mechanism



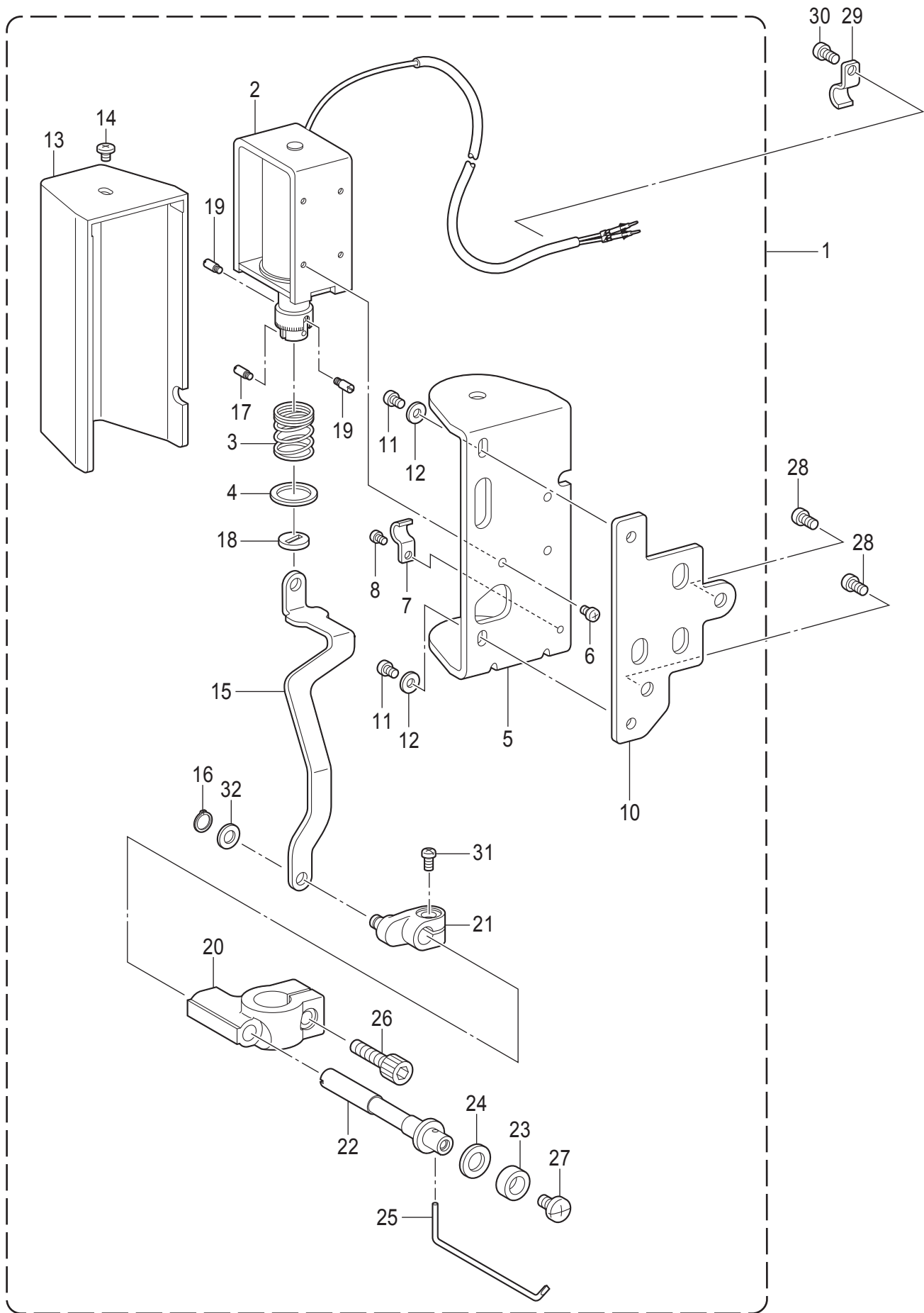


N. 松线装置 / Tension release mechanism

参照号	零部件序号	数量	零部件名称	NAME OF PARTS	RM
			<用于8560B>	<For 8560B>	
1	SA5102001	1	放线控制杆 A	LEVER A	
2	014500536	2	螺钉 M5X5	SET SCREW SOCKET (CP) M5X5	
3	SA6239001	1	轴位螺钉 M4	SHOULDER SCREW M4	
4	SA7864001	2	放线控制杆 B	LEVER B	
5	014500536	4	螺钉 M5X5	SET SCREW SOCKET (CP) M5X5	
6	SA6239001	1	轴位螺钉 M4	SHOULDER SCREW M4	
7	SA5588001	1	轴位螺钉 M4	SHOULDER SCREW M4	
8	SA7987001	2	带槽销	PIN	
9	S48313001	1	弹簧 A	SPRING, A	
10	SA5087101	1	弹簧 B	SPRING B	
11	S48314100	2	轴套	BUSH	
12	SA5104001	1	轴套 B	BUSH, B	
13	S48315001	1	轴 A	SHAFT, A	
14	SA5105001	1	轴 B	SHAFT, B	
15	SA5106001	1	底座	BASE	
16	SA5107001	1	放线板	PLATE	
17	SA5108101	1	线放出杆	WIRE	
18	018401232	2	螺栓 M4X12	BOLT SOCKET M4X12	
19	014060632	1	固定螺钉 M6X6	SET SCREW SOCKET (CP) M6X6	
20	048060142	1	轴用挡圈 C6	RETAINING RING EXTERNAL C6	
21	S03695001	1	垫圈6	WASHER, 6	
22	SA7863101	1	放线连杆	LINK	
23	SA7232001	1	放线电磁铁组件	SOLENOID ASSY	
24	062300616	3	螺钉 M3X6	SCREW PAN M3X6	
25	SA7248001	1	电磁铁安装板	SOLENOID SETTING PLATE	
26	625010000	1	尼龙夹 NK-2N	NYLON CLAMP NK-2N	
27	062400616	1	螺钉 M4X6	SCREW PAN M4X6	
28	S25456001	1	柱塞销	PLUNGER PIN	
29	062500816	3	螺钉 M5X8	SCREW PAN M5X8	
30	026040236	1	平垫圈 M4	WASHER PLAIN M 4	

P. 扫线装置 / Thread wiper mechanism

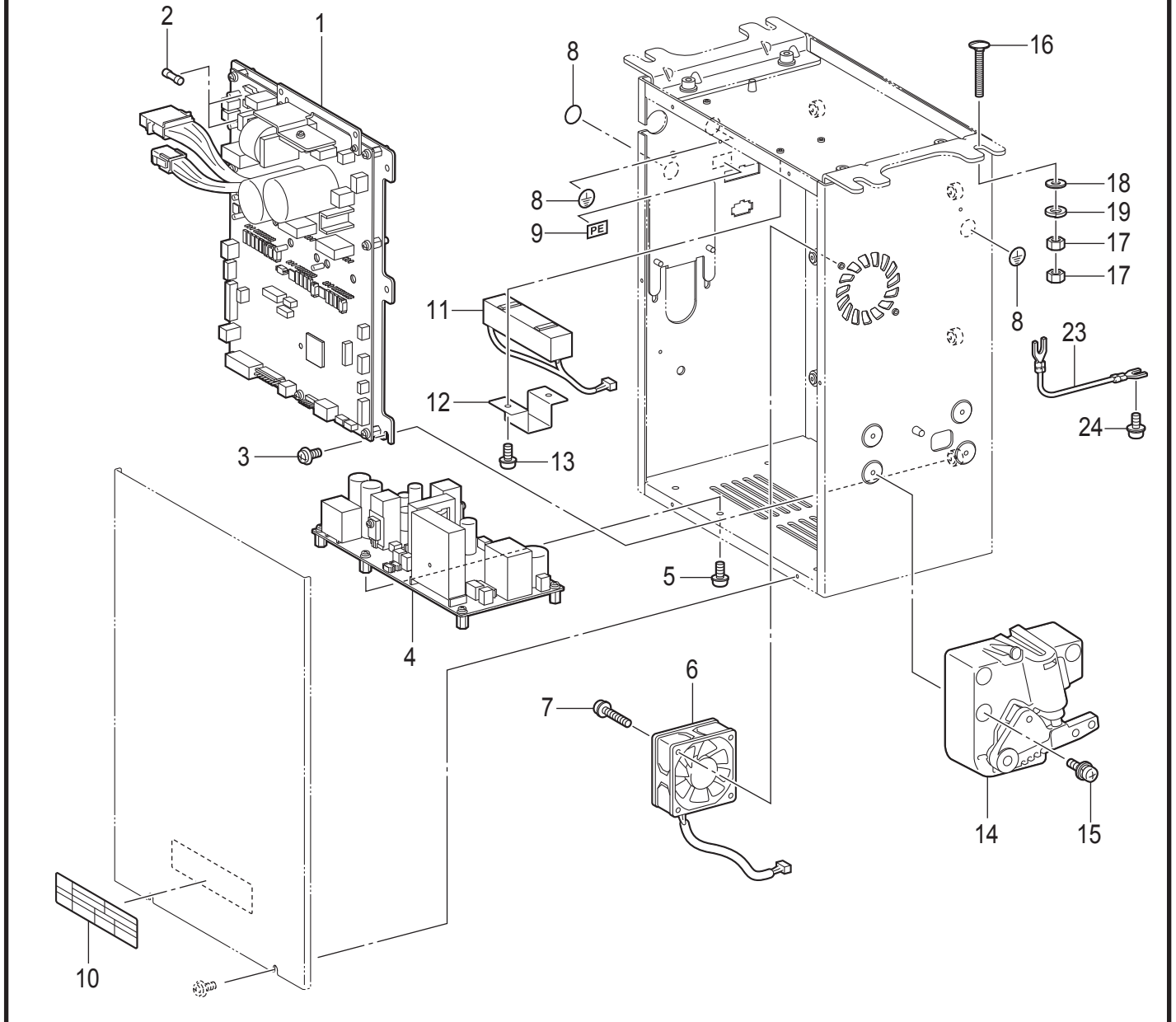
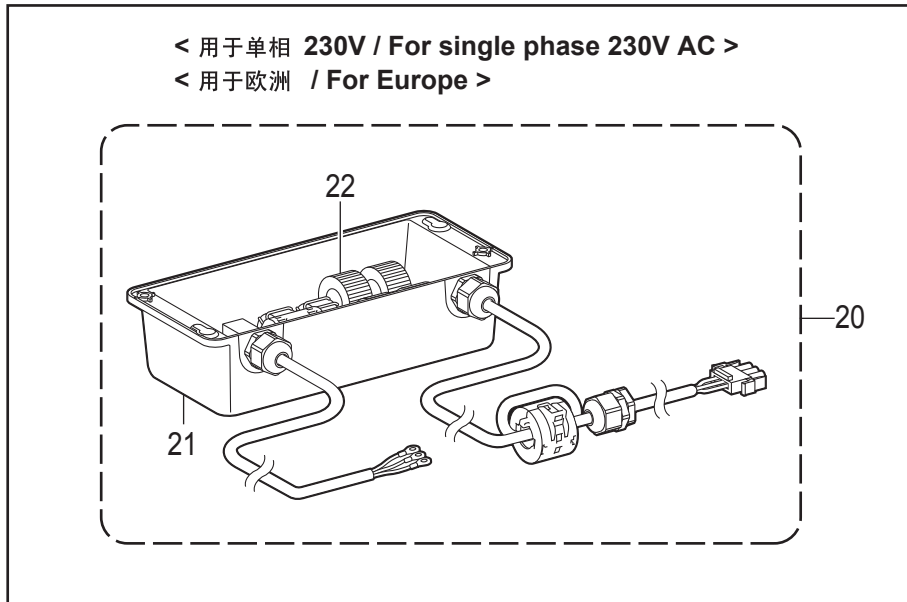
< 用于日本以外 / Except for Japan >



P. 扫线装置 / Thread wiper mechanism

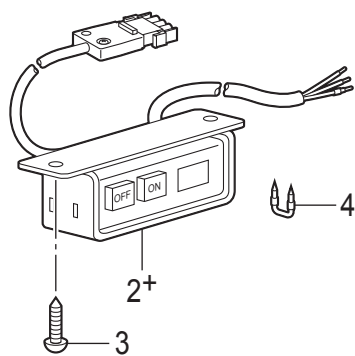
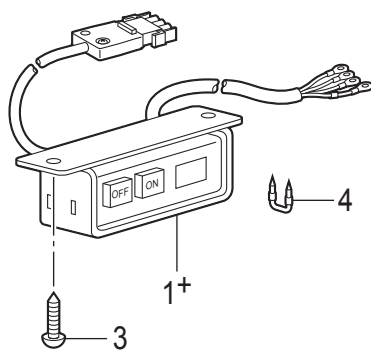
参照号	零部件序号	数量	零部件名称	NAME OF PARTS	RM
			<用于日本以外>	<Except for Japan>	
1	SB9610001	1	扫线装置组件	THREAD WIPER DEVICE ASSY	
2	SB9611001	1	扫线电磁铁组件	THREAD WIPER SOLENOID ASSY	
3	SA6512001	1	挡线弹簧	THREAD WIPER SPRING	
4	S41205001	1	平垫圈	WASHER, PLAIN	
5	SB9613001	1	电磁铁安装板	SOLENOID SETTING PLATE	
6	062300616	3	螺钉 M3X6	SCREW PAN M3X6	
7	140647101	1	电线固定夹	CORD HOLDER	
8	062300616	1	螺钉 M3X6	SCREW PAN M3X6	
10	SA8054001	1	扫线器座板	THREAD WIPER BASE	
11	062400616	2	螺钉 M4X6	SCREW PAN M4X6	
12	026040236	2	平垫圈 M4	WASHER PLAIN M 4	
13	SA8002002	1	电磁铁罩	SOLENOID COVER	
14	060400516	1	螺钉 M4X5	SCREW BIND M4X5	
15	SA8071001	1	扫线连杆	THREAD WIPER ROD	
16	048040142	1	轴用挡圈 C4	RETAINING RING EXTERNAL C4	
17	S25456001	1	柱塞销	PLUNGER PIN	
18	S41207000	1	橡皮垫圈	SPACER RUBBER	
19	S25456001	2	柱塞销	PLUNGER PIN	
20	SA8048101	1	扫线杆托座	WIPER BRACKET	
21	SA8082001	1	扫线托杆	THREAD WIPER LEVER	
22	SA8081001	1	扫线曲柄轴	THREAD WIPER CRANK SHAFT	
23	SA8070001	1	扫线轴套	THREAD WIPER STUD COLLAR	
24	S03677001	1	垫圈	WASHER	
25	SA7950001	1	扫线杆	THREAD WIPER	
26	018401436	1	螺栓 M4X14	BOLT SOCKET M4X14	
27	060400416	1	螺钉 M4X4	SCREW, BIND M4X4	
28	060501016	2	螺钉 M5X10	SCREW BIND M5X10	
29	SA2689101	1	线夹	CORD HOLDER	
30	062500816	1	螺钉 M5X8	SCREW PAN M5X8	
31	062400816	1	螺钉 M4X8	SCREW PAN M4X8	
32	026040136	1	平垫圈 S4	WASHER PLAIN S 4	

Q1. 控制箱 / Control box



Q1. 控制箱 / Control box

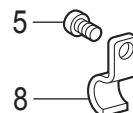
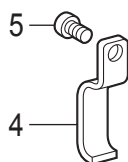
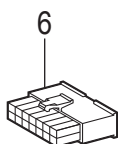
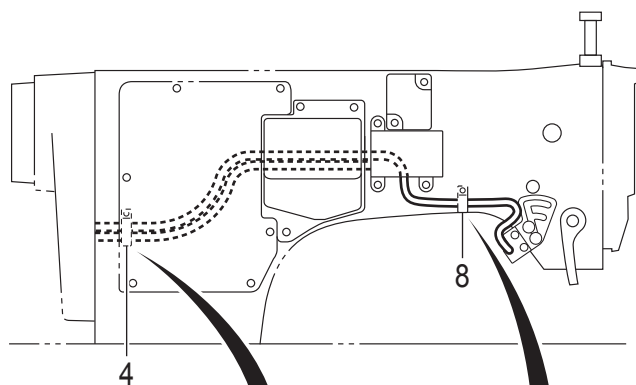
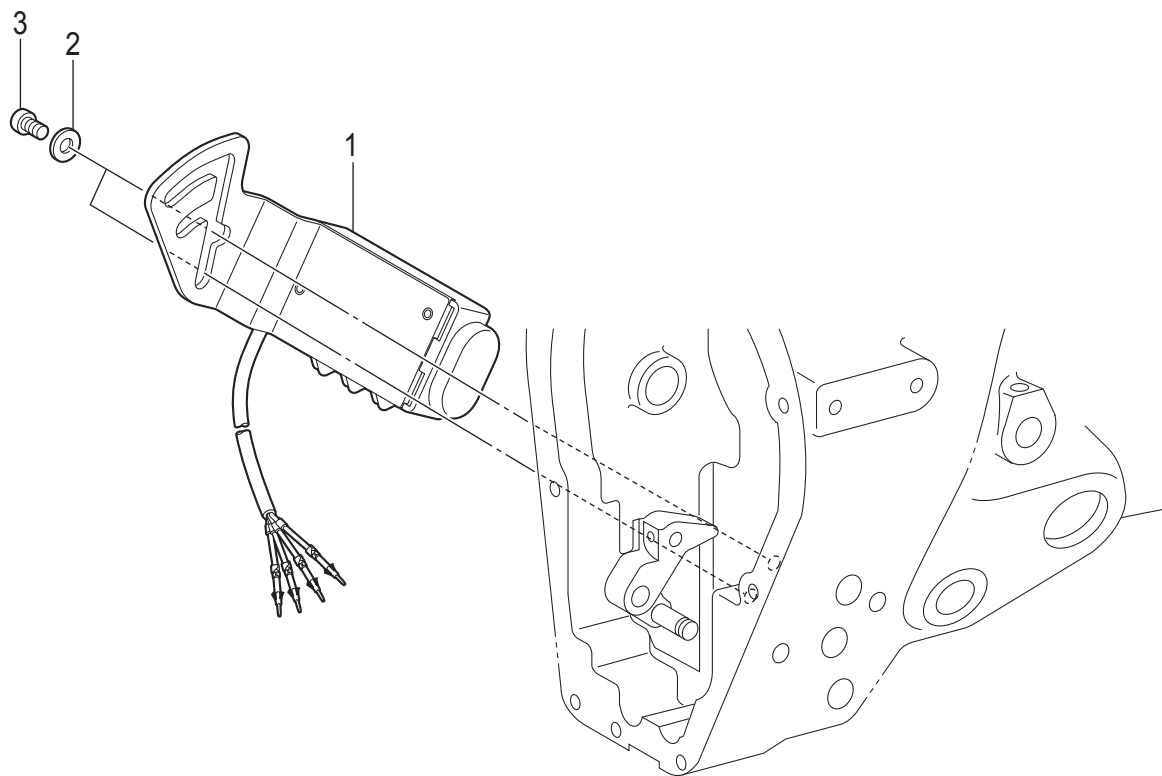
参照号	零部件序号	数量	零部件名称	NAME OF PARTS	RM
1	SB8922001	1	主基板组件 EZ	MAIN PCB ASSY EZ	
2	SB3275001	2	玻璃保险器 10A	GLASS FUSE 10A-50T100H	
3	0A5400806	7	螺钉(带垫圈) M4X8DB	SCREW PAN (S/P WASHER) M4X8	
4	SB8924001	1	电源基板组件 EZ	POWER PCB ASSY EZ	
5	0A5400806	6	螺钉(带垫圈) M4X8DB	SCREW PAN (S/P WASHER) M4X8	
6	SA3797001	1	DC风扇马达组件	DC-FAN MOTOR ASSY	
7	0A5403006	2	螺钉(带垫圈) M4X30DB	SCREW PAN (S/P WASHER) M4X30	
8	S37060001	3	接地标记	LABEL GROUNDING	
9	S37059001	1	PE标记	LABEL, PE	
10	SB8096001	1	感电标签 36 X 150	LABEL ELECTRICAL SHOCK 36X150	
11	J04100001	1	电阻组件 R40/220#6	CEMENT RESISTOR ASSY 401220#6	
12	SA3805001	1	定位架	RESISTOR HOLDER	
13	0A5400806	2	螺钉(带垫圈) M4X8DB	SCREW PAN (S/P WASHER) M4X8	
14	SB4587301	1	踏板控制器组件 (US)	TREADLE UNIT-US	
15	J00353001	4	螺钉(带垫圈) M5X14DB	SCREW PAN (S/P WASHER) M5X14	
16	SA9893001	4	螺栓 M8X65	BOLT M8X65	
17	021080206	8	螺母 M8	NUT 2 M8	
18	025080336	4	平垫圈 L8	WASHER PLAIN L 8	
19	028080246	4	弹簧垫圈 2-8	WASHER SPRING 2-8	
23	J04504001	1	EZ接地线组件	EARTH CORD ASSY EZ	
24	0A4400806	1	螺钉(带垫圈) M4X8DA	SCREW PAN (S/P WASHER) M4X8	
			<用于单相 230V AC> <用于欧洲>	<For single phase 230V AC> <For Europe>	
20	SB9750001	1	CE滤波器组件TYPE7	CE FILTER UNIT TYPE7	
21	SB7074001	1	CE滤波器座罩	CE FILTER CASE	
22	SB7065001	1	CE过滤基板组件	CE FILTER PCB ASSY TYPE3	



Q2. 控制箱 / Control box

参照号	零部件序号	数量	零部件名称	NAME OF PARTS	RM
1+	SA9616001	1	<用于三相 200V AC> <用于日本> 电源开关组件 SJT	<For Three phase 200V AC> <For Japan> POWER SWITCH ASSY SJT	
1+	SA9831001	1	<用于三相 200V AC> <用于北美和墨西哥> 电源开关组件 SJT#2	<For Three phase 220V AC> <For USA, Canada and Mexico> POWER SWITCH ASSY SJT#2	
2+	SA9535001	1	<用于单相 220V AC> <用于亚洲、欧洲及一般出口> 电源开关组件CCC	<For Single phase 220V AC> <For Asia, General and Europe> POWER SUPPLY SWITCH ASSY CCC	
2+	BMP3010-0000001-3S00	1	<用于单相 220V AC> <用于中国> 电源开关组件 CCC#2	<For Single phase 220V AC> <For China> POWER SWITCH 220V	
3	S03816001	2	圆头木螺钉 M4.5X16	WOOD SCREW M4.5X16	
4	200190001	2	U形卡钉	STAPLE 10X20	

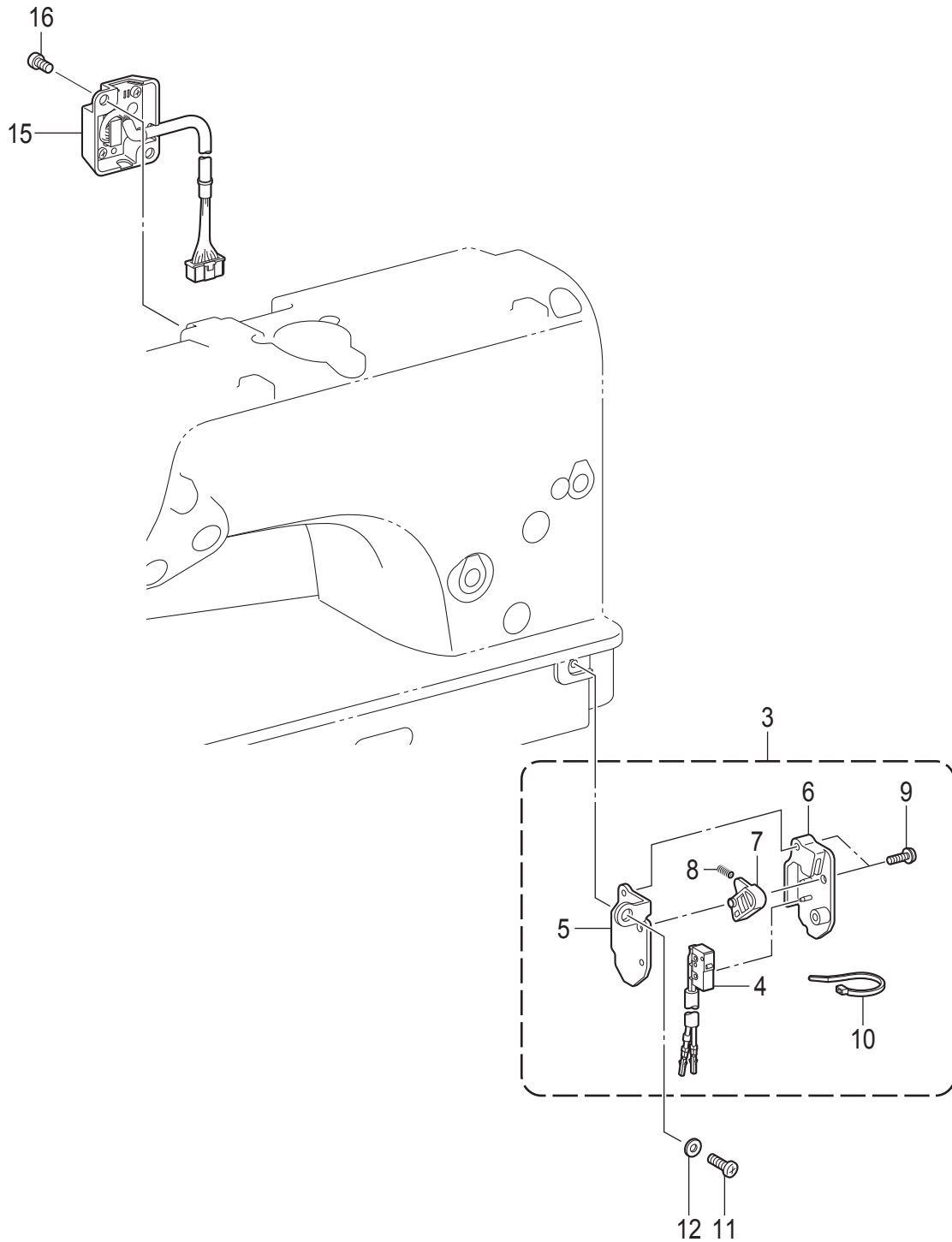
R. 倒缝开关装置 / Quick reverse switch mechanism





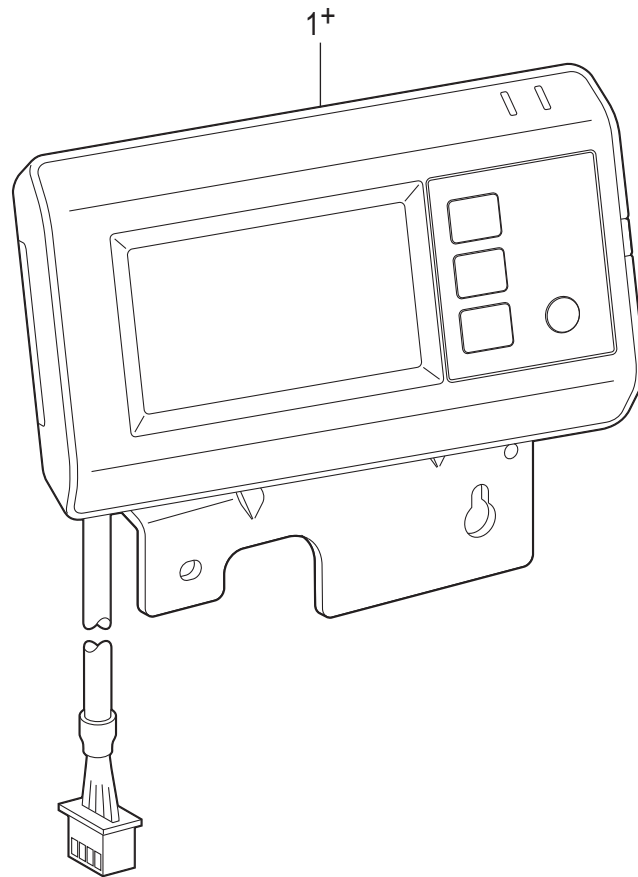
## R. 倒缝开关装置 / Quick reverse switch mechanism

参照号	零部件序号	数量	零部件名称	NAME OF PARTS	RM
1	SB9383001	1	LED倒缝开关组件	LED REVERSE SW ASSY	
2	SB3849001	2	平垫圈 M5	WASHER_PLAIN_M_5	
3	062500816	2	螺钉 M5X8	SCREW PAN M5X8	
4	SA1394101	1	线夹U3	CORD HOLDER U3	
5	062500816	2	螺钉 M5X8	SCREW PAN M5X8	
6	S38687000	1	插头 5557-14R	CONNECTOR 5557-14R	
			<用于8560B日本以外>	<Except for 8560B Japan>	
7	SA1388101	1	线夹	CORD HOLDER	
			<用于8550B、8560B日本>	<For 8550B, 8560B Japan>	
8	SA2689101	1	线夹	CORD HOLDER	



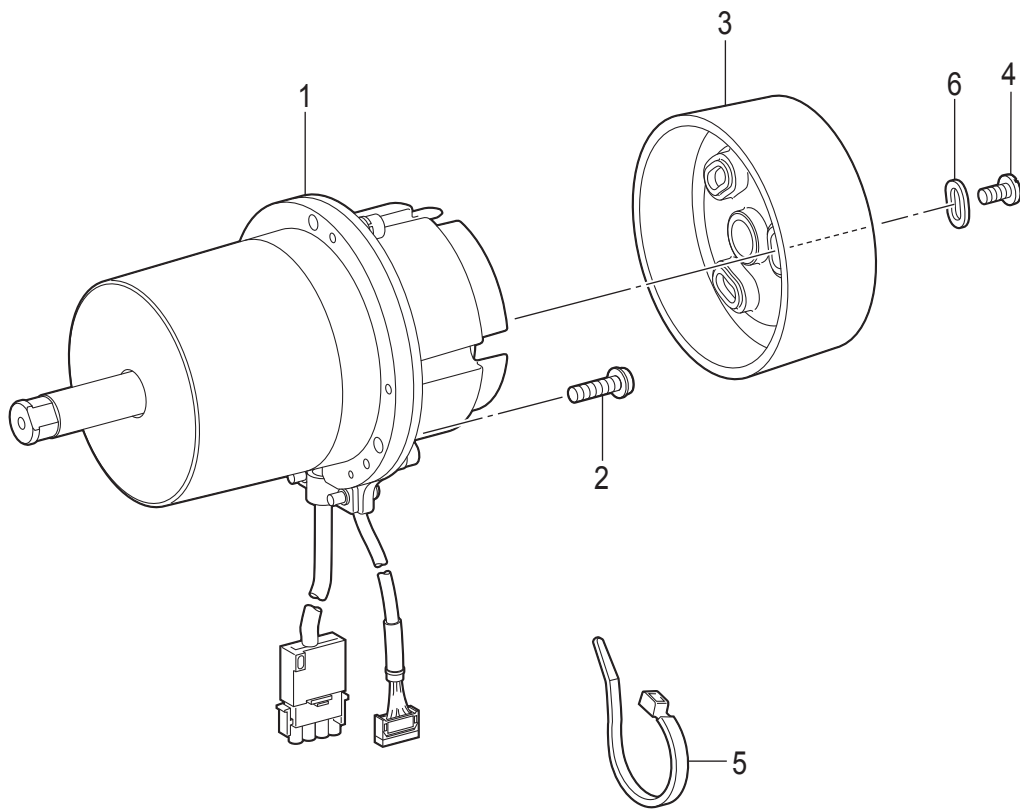
## S. 电气部品 / Power supply equipment

参照号	零部件序号	数量	零部件名称	NAME OF PARTS	RM
3	SB9603001	1	安全开关组件	SAFETY SWITCH ASSY	
4	SB9604001	1	微处理开关组件	MICRO SWITCH ASSY	
5	SA7292101	1	开关基板	SAFETY SWITCH PLATE	
6	SA9865001	1	开关基座	SAFETY SWITCH BASE	
7	SA9866001	1	开关手柄	SAFETY SWITCH LEVER	
8	SA9867001	1	开关弹簧	SAFETY SWITCH SPRING	
9	SA7293001	2	螺钉(带垫圈) M3X12	SCREW PAN (S/P W) M3X12	
10	SB4155001	1	线夹	BAND	
11	062060816	1	螺钉 M6X8	SCREW PAN M6X8	
12	025060136	1	平垫圈 S6	WASHER PLAIN S 6	
15	SC0038001	1	备用机头检出器复合件 8560B	H-DETECTOR SUPPLY ASSY 8560B	
16	0A4501206	2	螺钉(带垫圈) M5X12DA	SCREW PAN (S/P WASHER) M5X12	



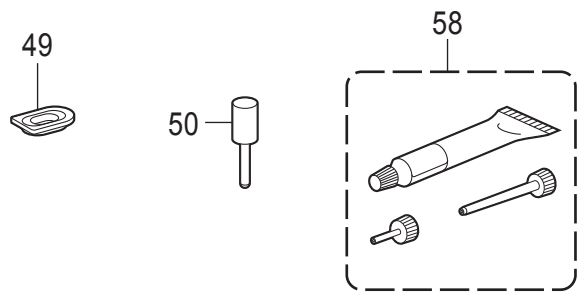
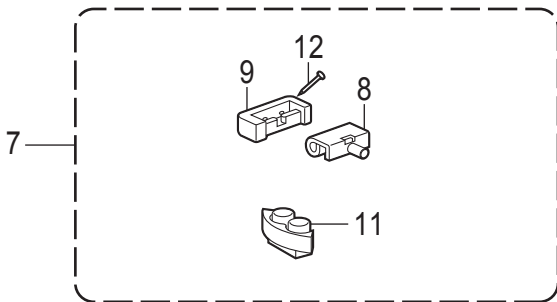
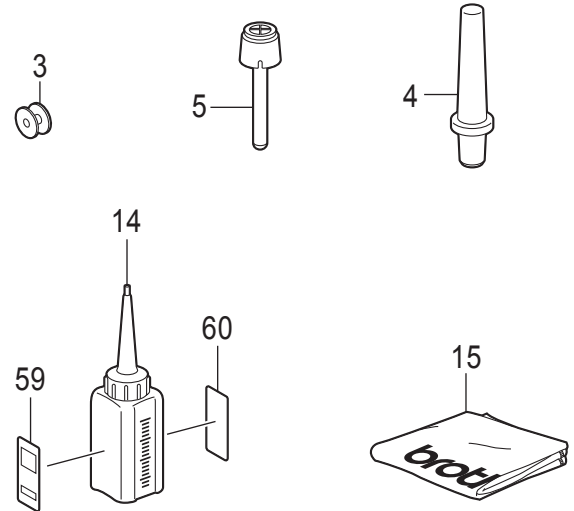
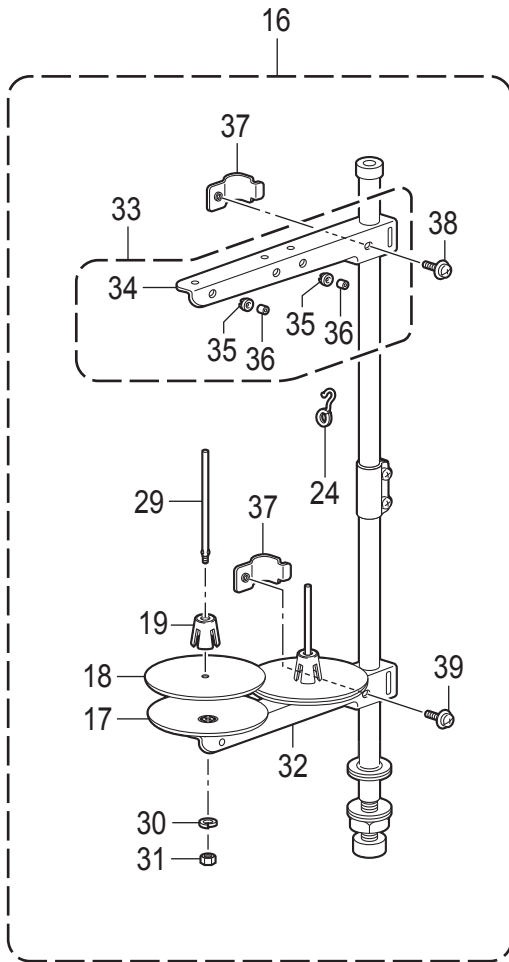
T. 操作盘 / Operation panel

参照号	零部件序号	数量	零部件名称	NAME OF PARTS	RM
1+	SB9273001	1	<用于一般出口> 操作盘组件	<For General export> OPERATION PANEL ASSY	
1+	SB9273002	1	<用于一般出口以外> 操作盘组件	<Except for General export> OPERATION PANEL ASSY	

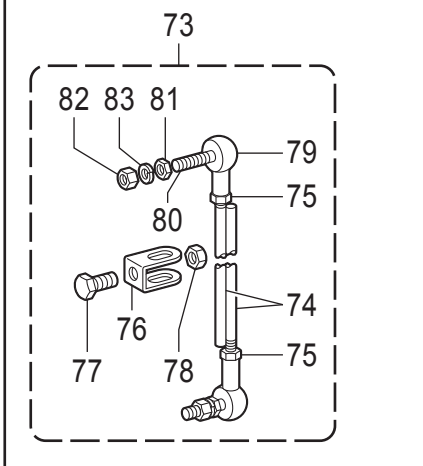


U. 马达装置 / Motor mechanism

参照号	零部件序号	数量	零部件名称	NAME OF PARTS	RM
1	SB8903001	1	马达组件	MOTOR ASSY	
2	SA2354001	3	螺钉 M5X18	SCREW PAN M5X18	
3	SB8940101	1	手轮	PULLEY	
4	060501016	3	螺钉 M5X10	SCREW BIND M5X10	
5	218859001	2	电线夹 M150	BINDER M150	
6	SA9452001	3	上轮垫圈	PULLEY WASHER	



< 选购件 / Option parts >





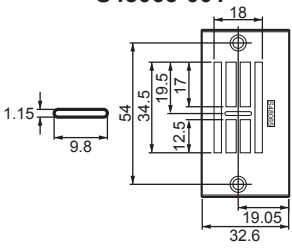
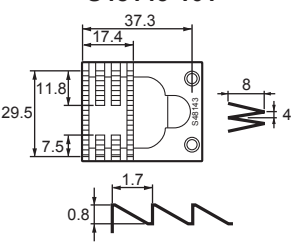
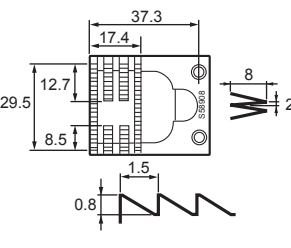
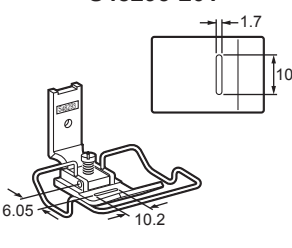
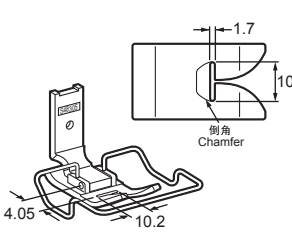
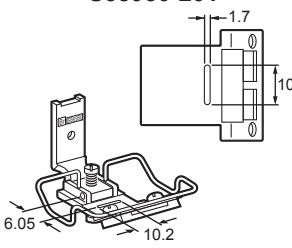
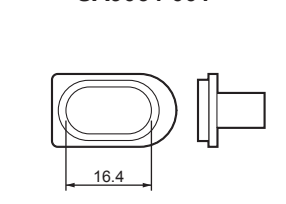
Z. 附件 / Accessories

参照号	零部件序号	数量	零部件名称	NAME OF PARTS	RM
3	SA5126001	2	梭芯	BOBBIN	
4	S48363001	1	机头掌杆	HEAD REST	
5	SB3831001	1	膝控提升顶杆	KNEE LIFTER COMPLYING BAR	
7	SA7329001	1	橡胶铰链组件	RUBBER HINGE ASSY	
8	143882021	2	机头铰链	HEAD HINGE	
9	143910009	2	机头铰链套	RUBBER CUSHION	
11	SA1963001	4	头部防震垫	HEAD CUSHION	
12	109714000	4	钉	NAIL	
14	SA8239301	1	油壶组件	OIL TANK ASSY	
15	144226001	1	机头罩	HEAD COVER	
16	S02763702	1	线架组件 2DR	COTTON STAND ASSY 2DR	
17	S51283001	2	垫圈	SPOOL STAND BASE	
18	150182000	2	线盘软垫	SPOOL MAT	
19	S51282101	2	线轴缓冲架	SPOOL CUSHION	
24	S02747101	1	弹簧	SPRING	
29	150179002	2	线轴 B	SPOOL SHAFT B	
30	028050243	2	弹簧垫圈 2-5	WASHER, SPRING 2-5	
31	021500203	2	螺母 M5	NUT, 2 M5	
32	SA6607001	1	过线架 2	SPOOL HOLDER 2	
33	SA6608001	1	过线架组件 2	THREAD HANGER ASSY 2	
34	SA6607001	1	过线架 2	SPOOL HOLDER 2	
35	150183000	2	过线管套	THREAD HANGER BASE	
36	142990001	2	过线架上过线管	THREAD BUSH	
37	SA6609001	2	过线架定位	SPOOL HOLDER SUPPORTER	
38	062061603	1	螺钉 M6X16	SCREW PAN M6X16	
39	062061603	1	螺钉 M6X16	SCREW PAN M6X16	
49	S48074000	1	定位器 5	STOPPER, 5	
50	SA5128001	1	针杆高度量规	NEEDLE BAR HEIGHT GAUGE	
58	SB6659101	1	润滑脂组件	GREASE UNIT	
59	SB1270001	1	油壶警示标贴 英文	OIL WARNING LABEL EN	
60	SB1271101	1	油壶警示标贴 日文	OIL WARNING LABEL JP	
			<b>&lt;选购件&gt;</b>	<b>&lt;Option parts&gt;</b>	
73	133797121	1	连接杆组件	CONNECTING ROD ASSY	
74	119711021	2	拉杆	CONNECTING ROD	
75	S36119021	2	螺母 M6	NUT 1 M6	
76	119101021	1	拉杆连接夹	CONNECTING ROD CLAMP	
77	S36114021	1	螺栓 M8X16	BOLT M8X16	
78	S36120021	1	螺母 M8	NUT 1 M8	
79	133793021	2	接头	STUD	
80	133794021	2	拉杆接头本体	BODY	
81	133795021	2	接头垫圈	RING	
82	S36119021	2	螺母 M6	NUT 1 M6	
83	S36121021	2	弹簧垫圈 2-6	WASHER SPRING 2-6	

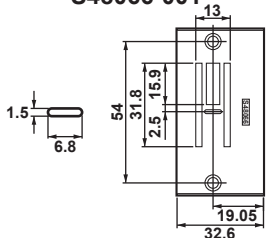
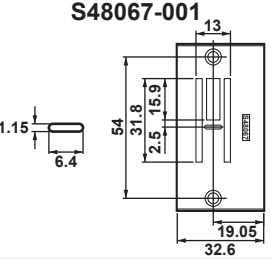
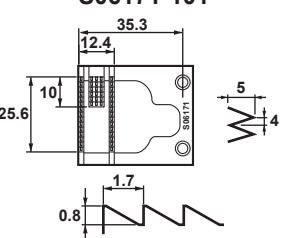
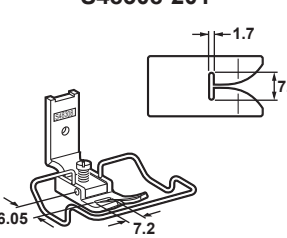
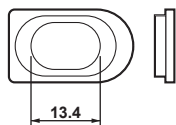
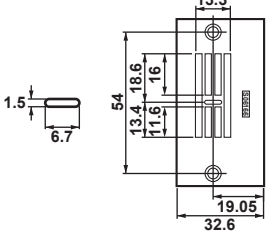
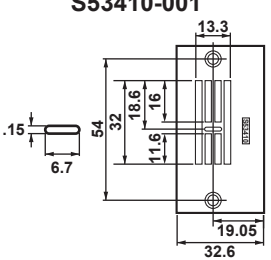
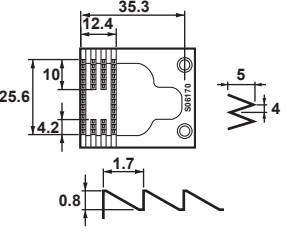
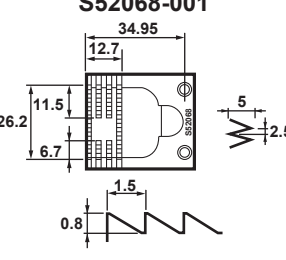
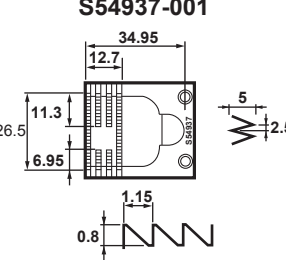
# Ga1. 工模具一览表 / Gauge parts list

"\*" 记号的零部件是标准零部件。

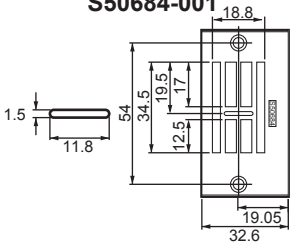
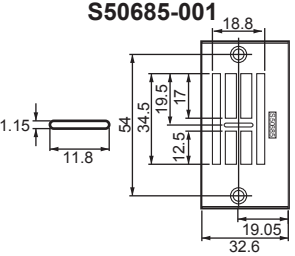
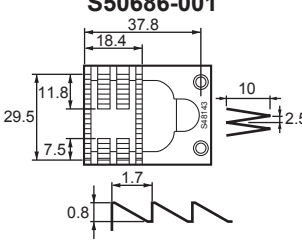
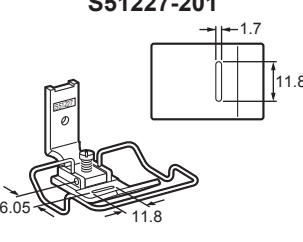
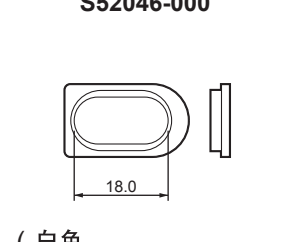
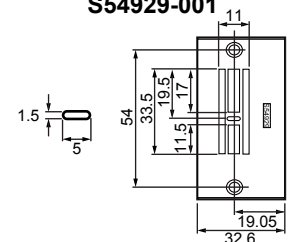
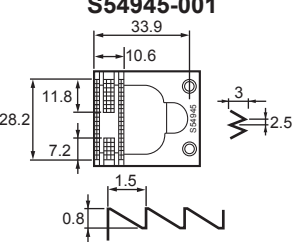
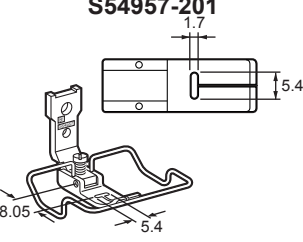
The parts indicted with \* are standard parts.

振幅 Zigzag width	针板 Needle plate	送布牙 Feed dog	压脚组件 Presser foot assy	定位器 Stopper
8mm	<p>* <b>S48065-001</b></p> 	<p><b>S48143-101</b></p>  <p>* <b>S58908-001</b></p> 	<p>* <b>S48293-201</b></p>  <p><b>S48305-201</b></p>  <p><b>S58950-201</b></p>  <p>( 附带导向 / With tape guide )</p>	<p>* <b>SA9064-001</b></p>  <p>( 黑色 / Black color )</p>


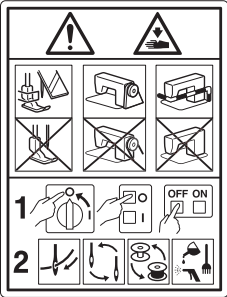




Ga2. 工模具一览表 / Gauge parts list

振幅 Zigzag width	针板 Needle plate	送布牙 Feed dog	压脚组件 Presser foot assy	定位器 Stopper
5mm	<p><b>S48066-001</b></p>  <p><b>S48067-001</b></p> 	<p><b>S06171-101</b></p> 	<p><b>S48308-201</b></p> 	<p><b>S48074-000</b></p>  <p>( 黑色 / Black color )</p>
	<p><b>S06166-001</b></p>  <p><b>S53410-001</b></p> 	<p><b>S06170-101</b></p>  <p><b>S52068-001</b></p>  <p><b>S54937-001</b></p> 		

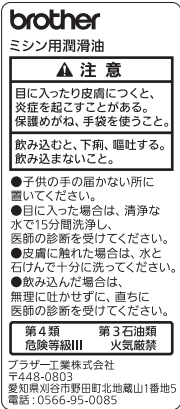
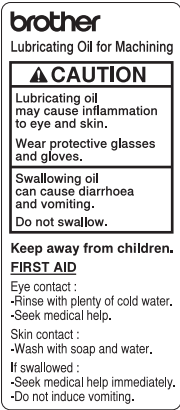
Ga3. 工模具一览表 / Gauge parts list

振幅 Zigzag width	针板 Needle plate	送布牙 Feed dog	压脚组件 Presser foot assy	定位器 Stopper
10mm	<p><b>S50684-001</b></p>  <p><b>S50685-001</b></p> 	<p><b>S50686-001</b></p> 	<p><b>S51227-201</b></p> 	<p><b>S52046-000</b></p>  <p>( 白色 / Snow-white color )</p>
3mm	<p><b>S54929-001</b></p> 	<p><b>S54945-001</b></p> 	<p><b>S54957-201</b></p> 	

Wa1. 警告标签 / Warning labels

警告标签 / Warning labels	零部件名称 / Name of parts	尺寸 / Size(mm)	零部件序号 / Code
	<p>感电标签 36 X 150 Label electrical shock 36 X 150</p>	<p>36 X 150</p>	<p>SB8096-001</p>
	<p>操作注意标签 Label caution</p>	<p>56 X 43</p>	<p>SA9826-001</p>
	<p>警告标记 Injury mark</p>	<p>L=16</p>	<p>SA9957-001</p>
	<p>接地标记 Label grounding</p>	<p>φ 12</p>	<p>S37060-001</p>
	<p>PE标记 Label, PE</p>	<p>7.5 X 12.5</p>	<p>S37059-001</p>
	<p>高温标志 High temp label</p>	<p>L=16</p>	<p>SB0827-001</p>

Wa2. 警告标签 / Warning labels

警告标签 / Warning labels	零部件名称 / Name of parts	尺寸 / Size(mm)	零部件序号 / Code
 <p>brother マシン用潤滑油</p> <p><b>▲ 注意</b></p> <p>目に入ったり皮膚につくと、炎症を起こすことがある。保護めがね、手袋を使うこと。</p> <p>飲み込むと、下痢、嘔吐する。飲み込まないこと。</p> <p>●子供の手の届かない所に置いてください。</p> <p>●目に入った場合は、清浄な水で15分間洗浄し、医師の診断を受けてください。</p> <p>●皮膚に触れた場合は、水と石けんで十分に洗ってください。</p> <p>●飲み込んだ場合は、無理に吐かせずに、直ちに医師の診断を受けてください。</p> <p>第4類 第3石油類 危険等級III 火気厳禁</p> <p>ブラザー工業株式会社 〒448-0803 愛知県刈谷市野田町北地蔵山1番地5 電話：0566-95-0085</p>	<p>油壺警告标贴 日文 Oil warning label JP</p>	<p>68 X 30</p>	<p>SB1271-101</p>
 <p>brother Lubricating Oil for Machining</p> <p><b>▲ CAUTION</b></p> <p>Lubricating oil may cause inflammation to eye and skin. Wear protective glasses and gloves.</p> <p>Swallowing oil can cause diarrhoea and vomiting. Do not swallow.</p> <p>Keep away from children. <b>FIRST AID</b> Eye contact : -Rinse with plenty of cold water. -Seek medical help. Skin contact : -Wash with soap and water. If swallowed : -Seek medical help immediately. -Do not induce vomiting.</p>	<p>油壺警告标贴 英文 Oil warning label EN</p>	<p>68 X 30</p>	<p>SB1270-001</p>

CODE	REF.NO	Page	CODE	REF.NO	Page	CODE	REF.NO	Page	CODE	REF.NO	Page
012060536	E - 19	12	025100132	E - 33	12	062500816	R - 5	44	114967021	F - 7	18
	E - 49	12	026040136	P - 32	38	062501016	J - 10	24	115188101	L - 30	30
	E - 56	14	026040236	N - 30	36		J - 51	26	116662003	M1 - 16	32
	E - 99	14		P - 12	38		J - 52	26	116922201	K - 33	28
	H - 7	22	028050243	Z - 30	52		M1 - 17	32	117936001	A - 1	2
	H - 15	22	028080246	Q1 - 19	40	062501216	A - 22	2	119101021	Z - 76	52
	H - 44	22	048040142	P - 16	38		J - 43	24	119711021	Z - 74	52
012060636	M1 - 21	32	048040342	K - 29	28		J - 53	26	129458202	E - 22	12
012400432	D - 5	10		L - 2	30	062670712	M2 - 13	34	133793021	Z - 79	52
012400636	L - 8	30		L - 14	30		M2 - 26	34	133794021	Z - 80	52
012500536	B - 33	4	048050342	D - 26	10	081004070	D - 17	10	133795021	Z - 81	52
	B - 48	4	048060142	G - 12	20	081004870	J - 12	24	133797121	Z - 73	52
	C - 8	8		N - 20	36	081005070	B - 49	4	140553102	B - 36	4
	C - 12	8	048070342	M1 - 23	32	081006070	J - 81	26	140647101	C - 15	8
	D - 22	10	048080142	H - 37	22	081006670	H - 10	22		J - 8	24
	E - 15	12		H - 56	22		J - 77	26		P - 7	38
	E - 47	12	048080342	E - 18	12	081008070	J - 20	24	142374100	E - 29	12
	E - 59	14		E - 32	12		J - 41	24	142628001	E - 94	14
	E - 67	14	048110142	E - 95	14	081008870	H - 25	22	142746122	E - 5	12
	H - 26	22	060400416	P - 27	38	081013870	J - 50	24		E - 24	12
	H - 28	22	060400516	P - 14	38	081014670	H - 43	22	142990001	Z - 36	52
	H - 30	22	060400816	A - 25	2	081014870	K - 14	28	143882021	Z - 8	52
	H - 33	22	060501016	P - 28	38		K - 35	28	143910009	Z - 9	52
	H - 35	22		U - 4	50	081015070	H - 42	22	144226001	Z - 15	52
	K - 10	28	060670812	H - 46	22	081015870	J - 37	24	144504001	K - 7	28
	K - 26	28	062060816	E - 84	14	081022870	J - 6	24	144875001	H - 8	22
	L - 13	30		S - 11	46		J - 25	24	145318001	B - 29	4
	L - 33	30	062061016	E - 90	14	085310516	A - 15	2	145446002	K - 37	28
	M1 - 8	32		G - 7	20	0A4400806	Q1 - 24	40		L - 29	30
014060632	N - 19	36	062061603	Z - 38	52	0A4501206	A - 36	2	146039121	F - 2	18
014300432	B - 47	4		Z - 39	52		J - 26	24	146293001	J - 67	26
014500536	N - 2	36	062061616	E - 65	14		S - 16	46	148546001	M1 - 14	32
	N - 5	36		M1 - 24	32	0A4501606	A - 4	2	148559100	M1 - 19	32
014770632	H - 20	22	062300416	B - 27	4	0A5400806	J - 5	24	148743001	E - 81	14
	H - 22	22		E - 113	16		Q1 - 3	40	149578000	J - 58	26
018061032	B - 71	6		E - 114	16		Q1 - 5	40	149622001	E - 7	12
	C - 18	8	062300616	E - 107	14		Q1 - 13	40	150179002	Z - 29	52
018061036	B - 68	6		N - 24	36	0A5401006	M1 - 39	32	150182000	Z - 18	52
018062032	C - 17	8		P - 6	38	0A5403006	Q1 - 7	40	150183000	Z - 35	52
018102536	B - 64	6		P - 8	38	100105005	B - 38	6	150592001	A - 26	2
018401036	B - 22	4	062302506	J - 71	26		M2 - 4	34	151148001	K - 20	28
	B - 24	4	062350616	E - 78	14		M2 - 17	34	151308102	E - 14	12
	C - 4	8	062400416	A - 35	2	100257010	A - 6	2		E - 46	12
018401232	N - 18	36	062400616	C - 16	8		M1 - 37	32		E - 58	14
018401236	L - 17	30		J - 9	24	100328001	E - 25	12	152873001	K - 24	28
018401436	P - 26	38		J - 46	24	100402004	K - 13	28	153132000	E - 43	12
018501032	E - 69	14		N - 27	36		K - 40	28	153138001	G - 11	20
018501636	E - 45	12		P - 11	38	100463021	F - 3	18	154729001	G - 2	20
021060306	D - 36	10	062400816	J - 75	26	104449001	A - 23	2	154730001	G - 3	20
	D - 38	10		P - 31	38	104450101	J - 7	24	154731000	G - 4	20
	J - 65	26	062401016	A - 19	2	104619022	F - 5	18	155103001	M2 - 12	34
	M1 - 29	32	062401416	E - 104	14	104821001	A - 24	2		M2 - 25	34
	M1 - 33	32	062500616	J - 32	24	105161004	E - 106	14	159805001	K - 34	28
021080206	Q1 - 17	40		J - 34	24	108549001	E - 4	12	180721001	H - 51	22
021100302	B - 65	6		J - 39	24		E - 23	12	183307001	H - 21	22
021500203	Z - 31	52		J - 55	26		L - 5	30	183507001	H - 52	22
021500312	E - 72	14		L - 27	30	109714000	Z - 12	52	200190001	Q2 - 4	42
025040332	J - 45	24	062500816	A - 33	2	110087021	F - 8	18	218859001	U - 5	50
025060136	B - 69	6		E - 42	12	110367001	H - 55	22	625010000	J - 74	26
	L - 15	30		G - 6	20	110562001	E - 62	14		N - 26	36
	S - 12	46		N - 29	36	112751003	M1 - 36	32	BMP3010-0000001-3S00		
025060232	M1 - 41	32		P - 30	38	113050001	D - 9	10		Q2 - 2+	42
025080336	Q1 - 18	40		R - 3	44	114561001	B - 56	6	J00353001	Q1 - 15	40

## 索引 / Index

CODE	REF.NO	Page	CODE	REF.NO	Page	CODE	REF.NO	Page	CODE	REF.NO	Page
J04100001	Q1 - 11	40	S36121021	Z - 83	52	S48363001	Z - 4	52	SA1388101	R - 7	44
J04504001	Q1 - 23	40	S37059001	Q1 - 9	40	S48367000	E - 39	12	SA1394101	R - 4	44
S02620401	K - 32	28		Wa1	56	S48370001	K - 21	28	SA1963001	Z - 11	52
S02747101	Z - 24	52	S37060001	A - 31	2	S48371070	B - 39	4	SA1981301	L - 10	30
S02763702	Z - 16	52		Q1 - 8	40	S50098201	E - 26	12	SA1982101	L - 11	30
S03677001	P - 24	38		Wa1	56	S50114001	D - 39	10	SA1983201	L - 12	30
S03695001	N - 21	36	S38687000	R - 6	44	S50115001	D - 40	10	SA1984001	L - 16	30
S03816001	Q2 - 3	42	S38712001	B - 10	4	S50116001	D - 41	10	SA1985001	L - 18	30
S06165001	B - 53	6	S38713100	B - 11	4	S50165001	B - 63	6	SA1990101	L - 22	30
S06166001	Ga2	54	S39051001	D - 19	10	S50390101	K - 12	28	SA1992101	L - 25	30
S06170101	Ga2	54	S41205001	P - 4	38		K - 31	28	SA2165001	D - 33	10
S06171101	Ga2	54	S41207000	P - 18	38	S50684001	B - 52+	4	SA2190001	L - 24	30
S07350001	D - 25	10	S45563001	K - 5	28		Ga3	55	SA2250101	B - 9	4
S07374102	E - 36	12	S47433201	E - 1	12	S50685001	Ga3	55	SA2354001	U - 2	50
S07494001	E - 116	16		E - 20	12	S50686001	Ga3	55	SA2358101	K - 8	28
S07876101	J - 76	26	S47509001	J - 29	24	S51227201	D - 6+	10	SA2363001	K - 6	28
S09477001	H - 50	22	S48006001	A - 5	2		Ga3	55	SA2377001	E - 85	14
S10243000	M1 - 38	32	S48012201	A - 17	2	S51272100	J - 36	24	SA2378001	M1 - 3	32
S12441001	K - 38	28	S48036101	B - 15	4	S51282101	Z - 19	52	SA2404001	B - 12	4
	L - 32	30	S48037001	B - 16	4	S51283001	Z - 17	52	SA2541001	E - 37	12
S18291001	B - 60	4	S48041001	B - 18	4	S51815001	J - 2	24	SA2636001	K - 25	28
S20356001	E - 17	12		B - 51	4		J - 15	24	SA2644001	M1 - 7	32
S21514201	E - 3	12	S48063001	B - 50	4		J - 24	24	SA2647001	M1 - 10	32
S23418002	L - 19	30	S48065001	B - 52+	4	S52015201	A - 16	2	SA2663001	M1 - 28	32
S23616101	D - 3	10		Ga1	53	S52046000	B - 59+	4	SA2669001	M1 - 30	32
S23651001	B - 4	4	S48066001	Ga2	54		Ga3	55	SA2689101	P - 29	38
	B - 6	4	S48067001	Ga2	54	S52068001	Ga2	54		R - 8	44
	B - 8	4	S48068001	B - 54	6	S52764001	H - 9	22	SA2992001	G - 10	20
	B - 13	4	S48069001	B - 55	6	S53410001	Ga2	54	SA3067001	E - 38	12
	E - 13	12	S48074000	Z - 49	52	S53825001	E - 66	14	SA3508001	J - 66	26
	E - 28	12		Ga2	54	S54929001	Ga3	55	SA3797001	Q1 - 6	40
	E - 51	12	S48089000	K - 18	28	S54937001	Ga2	54	SA3805001	Q1 - 12	40
	E - 93	14	S48090001	K - 19	28	S54945001	Ga3	55	SA3980101	D - 31	10
	G - 9	20	S48113101	E - 21	12	S54957201	Ga3	55	SA4233001	K - 42	28
	H - 4	22	S48140001	E - 112	16	S55863101	M2 - 8	34	SA4241001	E - 8	12
	H - 17	22	S48143101	Ga1	53	S55865001	M2 - 10	34	SA4265001	J - 1	24
	M1 - 2	32	S48179001	H - 45	22		M2 - 23	34	SA4897001	A - 2	2
	M1 - 5	32	S48226101	M1 - 9	32	S58908001	E - 115	16	SA4899101	A - 7	2
S24740001	D - 11	10	S48229001	M1 - 15	32		Ga1	53	SA4900001	A - 10	2
S25235001	B - 2	4	S48230001	M1 - 22	32	S58941201	M2 - 14	34	SA4903101	A - 32	2
S25236001	B - 3	4	S48234101	M1 - 34	32	S58943001	M2 - 21	34	SA4904001	B - 1	4
	E - 75	14	S48236401	M2 - 1	34	S58950201	Ga1	53	SA4908101	B - 14	4
S25240001	E - 74	14	S48238101	M2 - 2	34	SA1120001	B - 5	4	SA4909101	B - 17	4
S25344001	J - 63	26		M2 - 15	34	SA1174002	D - 14	10	SA4910001	B - 19	4
S25456001	N - 28	36	S48239001	M2 - 3	34	SA1175002	D - 15	10	SA4912001	B - 20	4
	P - 17	38		M2 - 16	34	SA1177001	D - 28	10	SA4913001	B - 23	4
	P - 19	38	S48240001	M2 - 5	34	SA1179001	D - 30	10	SA4915001	B - 28	4
S25469100	E - 30	12		M2 - 18	34		D - 32	10	SA4922001	B - 34	4
S29132001	K - 28	28	S48246001	M2 - 11	34		J - 69	26	SA4923001	B - 35	4
S31006002	D - 18	10		M2 - 24	34	SA1181101	D - 20	10	SA4924001	B - 37	6
S31032001	L - 31	30	S48247001	M2 - 6	34	SA1207001	E - 34	12	SA4928001	B - 58	4
S31032002	K - 39	28		M2 - 19	34	SA1229101	K - 23	28	SA4931001	C - 5	8
S31885001	F - 9	18	S48281001	D - 1	10	SA1242001	E - 110	16	SA4932001	C - 6	8
S31952001	D - 16	10	S48285001	D - 12	10	SA1303101	J - 19	24		E - 57	14
S32263001	H - 57	22	S48293201	D - 6+	10		J - 40	24	SA4933001	C - 7	8
S34352101	E - 86	14		Ga1	53	SA1306001	J - 22	24	SA4934001	C - 9	8
S34756021	F - 6	18	S48297001	D - 7	10	SA1307001	J - 23	24	SA4935101	C - 10	8
S35820021	F - 4	18	S48298001	D - 8	10	SA1313101	J - 38	24	SA4936001	C - 11	8
S35821021	F - 1	18	S48305201	Ga1	53	SA1324001	J - 60	26	SA4937101	C - 13	8
S36114021	Z - 77	52	S48308201	Ga2	54	SA1325101	J - 61	26	SA4938001	C - 14	8
S36119021	Z - 75	52	S48313001	N - 9	36	SA1326101	J - 62	26	SA4939201	D - 2	10
	Z - 82	52	S48314100	N - 11	36	SA1359001	L - 34	30	SA4941201	D - 4	10
S36120021	Z - 78	52	S48315001	N - 13	36	SA1360101	L - 26	30	SA4943101	D - 24	10

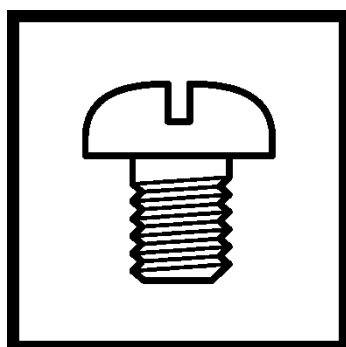


CODE	REF.NO	Page	CODE	REF.NO	Page	CODE	REF.NO	Page	CODE	REF.NO	Page
SA4944101	D -23	10	SA5049101	H -41	22	SA7147001	D -10	10	SA9393001	J -49	26
SA4947001	D -29	10	SA5062001	J -3	24	SA7232001	N -23	36	SA9394001	J -48	26
SA4949001	D -37	10	SA5063001	J -4	24	SA7248001	N -25	36	SA9452001	U -6	50
SA4951101	E -2	12	SA5065101	J -11	24	SA7257001	E -109	14	SA9523001	B -57	6
SA4952001	E -6	12	SA5071001	J -17	24	SA7275001	K -36	28	SA9535001	Q2 -2+	42
SA4954001	E -9	12		J -30	24	SA7292101	S -5	46	SA9563001	L -36	30
SA4957001	E -10	12	SA5073001	J -17	24	SA7293001	S -9	46	SA9616001	Q2 -1+	42
SA4958001	E -11	12	SA5076101	J -35	24	SA7327001	E -35	12	SA9763101	B -70	6
SA4959001	E -12	12	SA5078001	J -42	24	SA7329001	Z -7	52	SA9795101	J -27	24
SA4961001	E -27	12	SA5079001	J -44	24	SA7439101	K -30	28	SA9826001	A -27	2
SA4963001	E -31	12	SA5082001	J -59	26	SA7440001	K -41	28		Wa1	56
SA4966001	E -44	12	SA5083001	J -68	26	SA7499001	E -87	14	SA9831001	Q2 -1+	42
SA4967001	E -48	12	SA5084101	K -1	28	SA7706001	E -117	16	SA9865001	S -6	46
SA4968101	E -50	12	SA5085101	K -3	28	SA7709001	E -60	14	SA9866001	S -7	46
	M1 -4	32	SA5086001	K -4	28	SA7839101	D -27	10	SA9867001	S -8	46
SA4969001	E -52	12	SA5087101	N -10	36	SA7863101	N -22	36	SA9893001	Q1 -16	40
SA4970001	E -53	12	SA5088401	K -11	28	SA7864001	N -4	36	SA9957001	A -30	2
SA4971001	E -54	12	SA5089101	K -22	28	SA7872001	K -17	28		Wa1	56
	H -6	22	SA5090001	K -27	28	SA7950001	P -25	38	SB0687001	J -64	26
	H -13	22	SA5091001	L -28	30	SA7987001	N -8	36	SB0827001	G -13	20
SA4972001	E -55	12	SA5092201	M1 -1	32	SA7988101	K -15	28		J -82	26
SA4980001	E -61	14	SA5094201	M1 -12	32	SA7990001	K -16	28		Wa1	56
SA4981001	E -63	14	SA5095001	M1 -20	32	SA8002002	P -13	38	SB1270001	Z -59	52
SA4982001	E -64	14	SA5096001	M1 -25	32	SA8037001	E -108	14		Wa2	57
SA4983001	E -68	14	SA5097201	M1 -26	32	SA8038001	E -103	14	SB1271101	Z -60	52
SA4984001	E -70	14	SA5098101	M1 -27	32	SA8048101	P -20	38		Wa2	57
SA4985001	E -71	14	SA5099101	M1 -31	32	SA8054001	P -10	38	SB1450001	M1 -18	32
	M1 -11	32	SA5100201	M1 -32	32	SA8060201	B -67	6	SB1537001	B -7	4
SA4987101	E -73	14	SA5101001	M1 -35	32	SA8070001	P -23	38	SB2245002	L -1	30
SA4988001	E -76	14	SA5102001	N -1	36	SA8071001	P -15	38	SB2246001	L -20	30
SA4989001	E -77	14	SA5104001	N -12	36	SA8081001	P -22	38	SB2247001	L -4	30
SA4990001	E -80	14	SA5105001	N -14	36	SA8082001	P -21	38	SB2275001	L -35	30
SA4991001	E -82	14	SA5106001	N -15	36	SA8112001	B -61	4	SB3275001	Q1 -2	40
SA4992001	E -83	14	SA5107001	N -16	36	SA8126001	H -53	22	SB3831001	Z -5	52
SA4994101	E -88	14	SA5108101	N -17	36	SA8127001	H -49	22	SB3849001	R -2	44
SA4995001	E -89	14	SA5124001	A -9	2	SA8128001	H -48	22	SB4155001	S -10	46
SA4996001	E -91	14		K -2	28	SA8194101	H -54	22	SB4587301	Q1 -14	40
SA4997101	E -92	14	SA5125001	B -21	4	SA8201001	M1 -40	32	SB6659101	Z -58	52
SA4998001	E -96	14	SA5126001	H -47	22	SA8239301	Z -14	52	SB7065001	Q1 -22	40
SA4999001	E -97	14		Z -3	52	SA8426201	H -36	22	SB7074001	Q1 -21	40
SA5001001	E -98	14	SA5128001	Z -50	52	SA8427001	H -2	22	SB8096001	Q1 -10	40
SA5003001	E -100	14	SA5416001	D -35	10	SA8428001	H -1	22		Wa1	56
SA5006001	E -105	14	SA5588001	N -7	36	SA8458001	M2 -7	34	SB8903001	U -1	50
SA5007001	H -5	22	SA6092001	B -26	4		M2 -20	34	SB8922001	Q1 -1	40
SA5009001	E -111	16	SA6093001	B -25	4	SA8459001	M2 -9	34	SB8924001	Q1 -4	40
SA5010001	E -102	14	SA6094001	J -31	24		M2 -22	34	SB8939001	A -3	2
SA5016001	E -101	14	SA6095001	J -33	24	SA8503001	L -9	30	SB8940101	U -3	50
SA5018001	G -5	20	SA6096001	M1 -13	32	SA8507001	L -7	30	SB8941101	A -21	2
SA5019001	G -8	20	SA6165001	J -47	24	SA8508001	L -3	30	SB8942001	A -20	2
SA5022101	H -3	22	SA6167001	K -9	28	SA8509001	L -23	30	SB8943101	A -12	2
SA5027001	H -12	22	SA6219001	B -32	4	SA8512101	L -21	30	SB8944101	A -13	2
SA5028001	H -14	22	SA6227001	E -16	12	SA8982202	L -37	30	SB8945001	A -18	2
SA5029001	H -16	22	SA6239001	N -3	36	SA8987001	J -79	26	SB8946001	A -8	2
SA5030001	H -18	22		N -6	36	SA8989001	J -78	26	SB9273001	T -1+	48
SA5031001	H -19	22	SA6367001	H -11	22	SA8990001	J -14	24	SB9273002	T -1+	48
SA5033201	H -23	22	SA6512001	P -3	38	SA8991001	J -21	24	SB9368201	A -11	2
SA5034301	H -24	22	SA6592001	E -41	12	SA8995101	J -13	24	SB9369001	B -30	4
SA5037101	H -27	22	SA6607001	Z -32	52	SA8996001	J -16	24	SB9370101	B -41	4
	H -34	22		Z -34	52	SA8997001	J -18	24	SB9371001	B -42	4
SA5040001	H -29	22	SA6608001	Z -33	52	SA8999001	J -80	26	SB9372001	A -34	2
SA5043201	H -31	22	SA6609001	Z -37	52	SA9061001	B -31	4	SB9374001	B -62	6
SA5044101	H -32	22	SA6645001	J -73	26	SA9064001	B -59+	4	SB9375001	B -66	6
SA5048101	H -40	22	SA6646001	J -54	26		Ga1	53	SB9376001	A -14	2

索引 / Index

CODE	REF.NO	Page	CODE	REF.NO	Page	CODE	REF.NO	Page	CODE	REF.NO	Page
SB9377001	C - 1	8									
SB9378001	C - 2	8									
SB9379001	D - 34	10									
SB9383001	R - 1	44									
SB9603001	S - 3	46									
SB9604001	S - 4	46									
SB9607001	M1 - 6	32									
SB9610001	P - 1	38									
SB9611001	P - 2	38									
SB9613001	P - 5	38									
SB9614001	J - 70	26									
SB9629001	J - 72	26									
SB9630101	J - 56	26									
SB9631101	J - 57	26									
SB9750001	Q1 - 20	40									
SC0038001	S - 15	46									
SC0095001	G - 1	20									

brother



零件手册  
PARTS BOOK

**BROTHER INDUSTRIES, LTD.** <http://www.brother.com/>

1-5, Kitajizoyama, Noda-cho, Kariya 448-0803, Japan. Phone : 81-566-95-0088

© 2019 Brother Industries, Ltd. All Rights Reserved.

Z-8550B, 8560B  
I9021289B C/E  
2019.02.B (1)